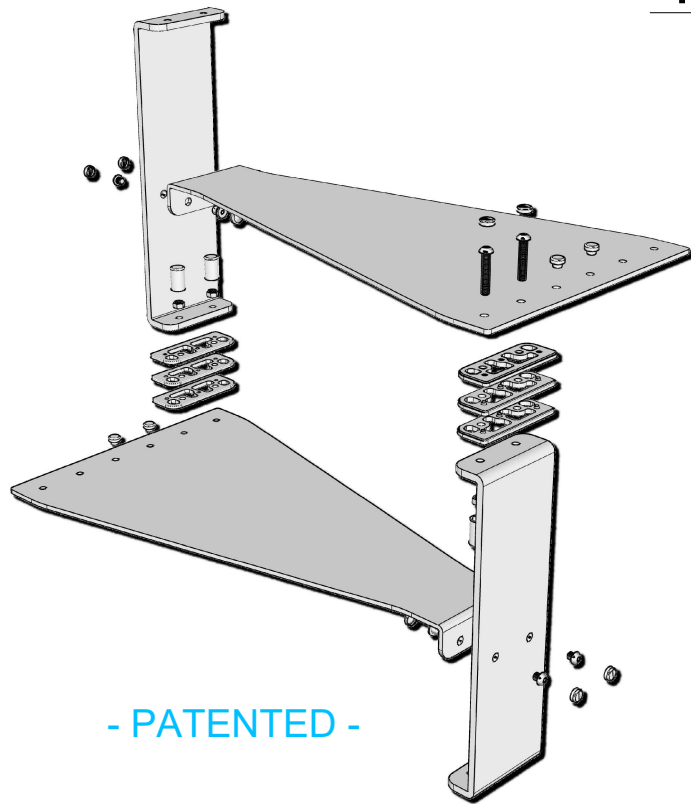


KIT-T20 13



- PATENTED -

