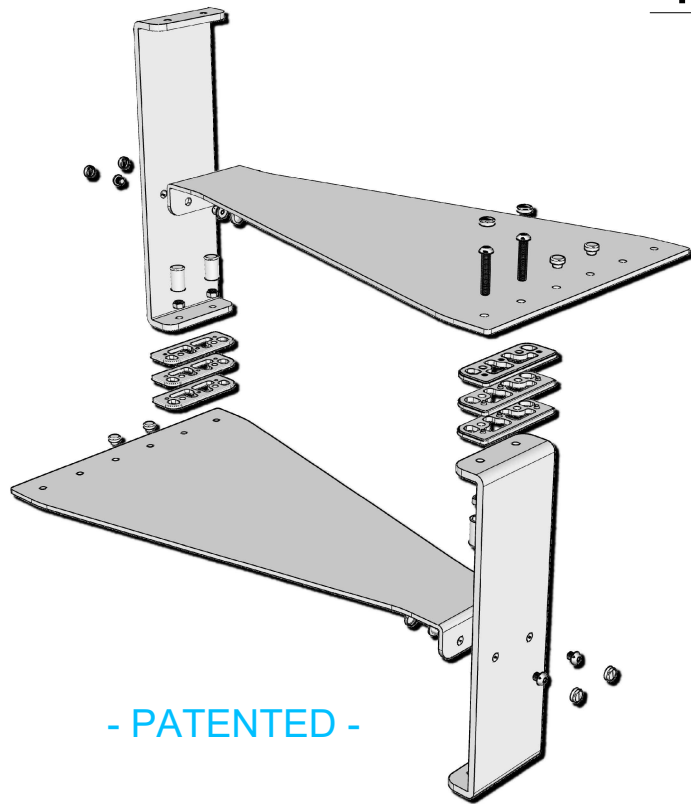


# KIT-T20 12



- PATENTED -

