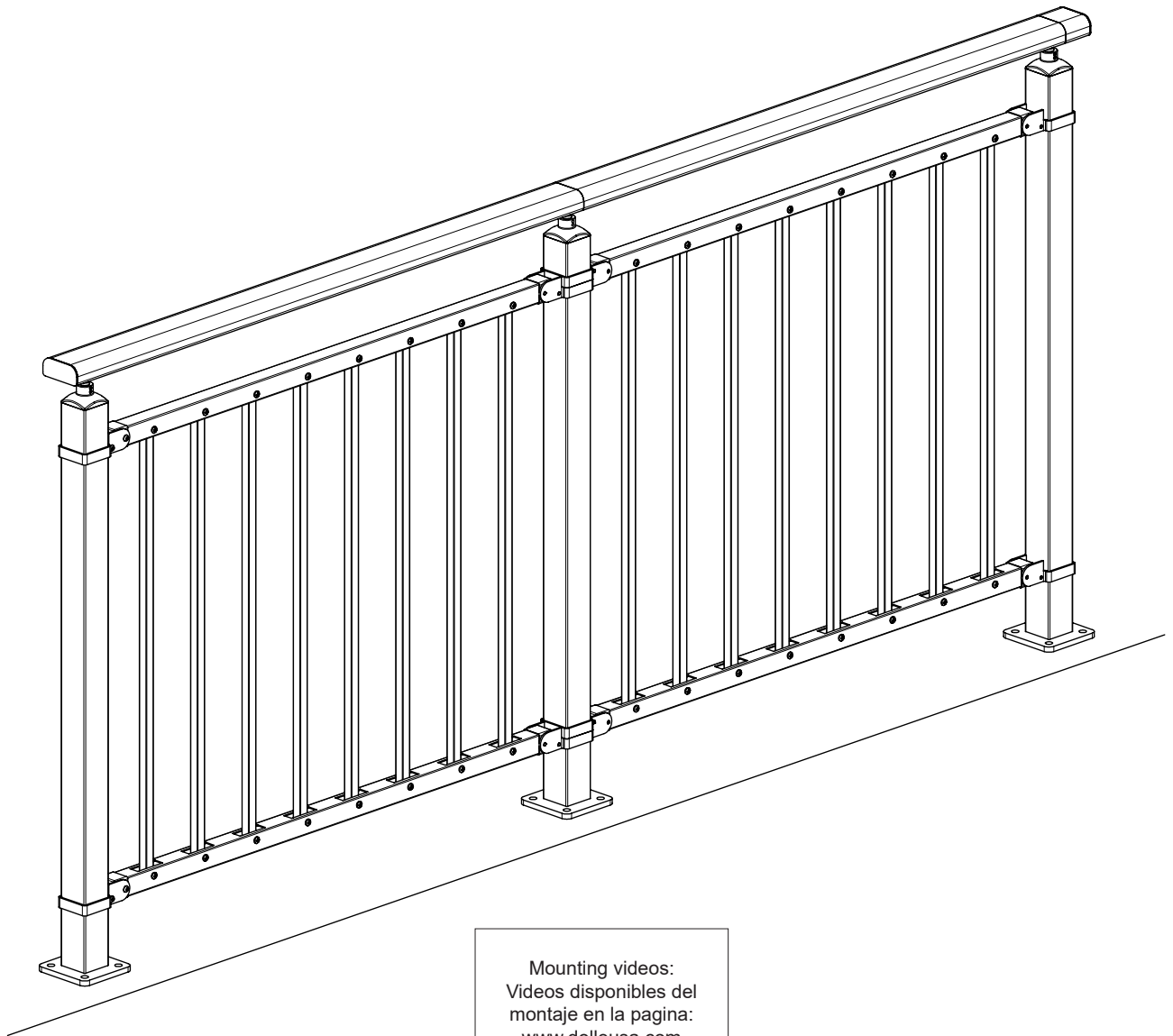
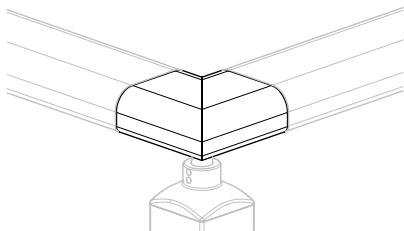


ACADIA

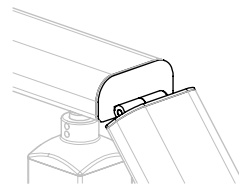


Mounting videos:
Videos disponibles del
montaje en la pagina:
www.dolleusa.com

OPTION
OPCIÓN



OPTION
OPCIÓN

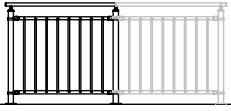


Review these instructions completely before beginning installation.
Questions - call customer service 855-DOLLE US or 763-452-7492
- Monday - Friday 8:00-5:00 central. info@dolleusa.com.
Metric tools required.

Revise estas instrucciones en su totalidad antes de iniciar la instalación.
Si tiene alguna pregunta, llame al servicio al cliente al 855-DOLLE desde
los EE.UU o al 763-746-7830 de lunes a viernes de 8:00 a 5:00, hora
central de los EE.UU. info@dolleusa.com.
Se necesitan herramientas métricas.

Local building codes vary. Please consult with your
local officials for specific requirements.

Las normas de construcción locales pueden variar.
Póngase en contacto con los técnicos locales para
conocer los requisitos locales.



Start kit
1088611-0101
Kit de Inicio

1

x 2
K2-1088601

2

x 1
K2-1088626

3

x 4
K2-1088620

4

x 4
K1-1088634

5

x 2
K2-1088605

6

x 1
K2-1088646

7

x 1
K2-1088645

8

x 1
K1-1088640

20

x 4
K3-10474
M5 x 5 mm

21

x 10
K3-10491
Ø4,8 x 12 mm

23

x 8
K3-04210
Ø10 mm



Continuous Kit
1088612-0101
Kit Continuo

<p>1</p> <p>x 1 K2-1088601</p>	<p>2</p> <p>x 1 K2-1088626</p>	<p>3</p> <p>x 4 K2-1088620</p>	<p>4</p> <p>x 4 K1-1088634</p>	<p>5</p> <p>x 1 K2-1088605</p>
------------------------------------	------------------------------------	------------------------------------	------------------------------------	------------------------------------

9

x 1
K1-1088641

<p>20</p> <p>x 2 K3-10474 M5 x 5 mm</p>	<p>21</p> <p>x 4 K3-10491 Ø4,8 x 12 mm</p>	<p>23</p> <p>x 4 K3-04210 Ø10 mm</p>
---	--	--

OPTION

Handrail Corner Connector
1088630-0101
Codo de Barandilla

<p>10</p> <p>x 1 K2-1088630</p>	<p>11</p> <p>x 2 K1-1088616</p>	<p>21</p> <p>x 8 K3-10491 Ø4,8 x 12 mm</p>
-------------------------------------	-------------------------------------	--

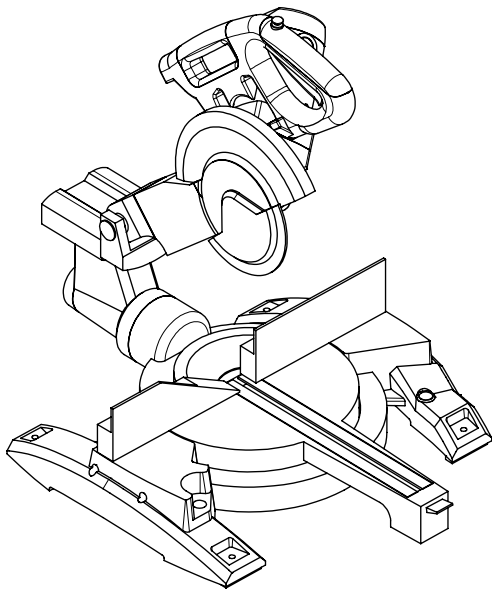
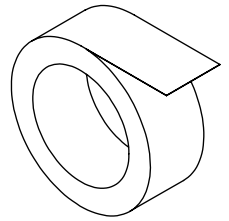
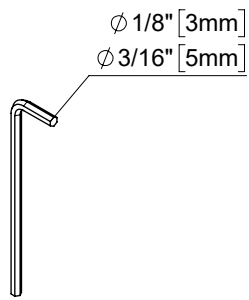
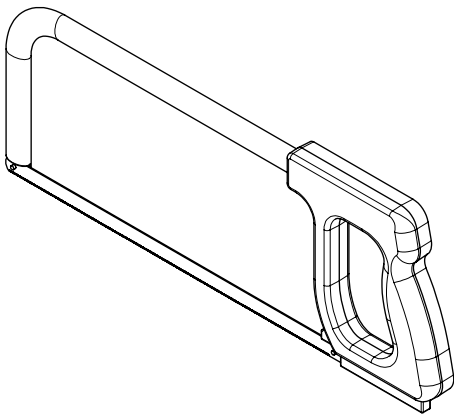
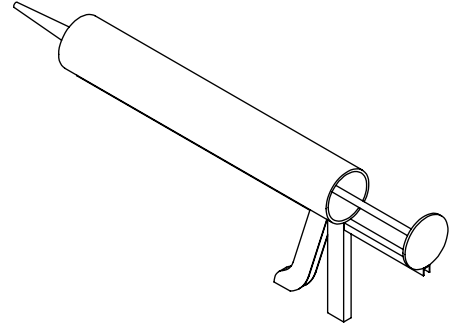
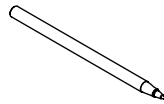
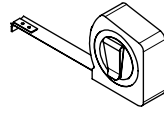
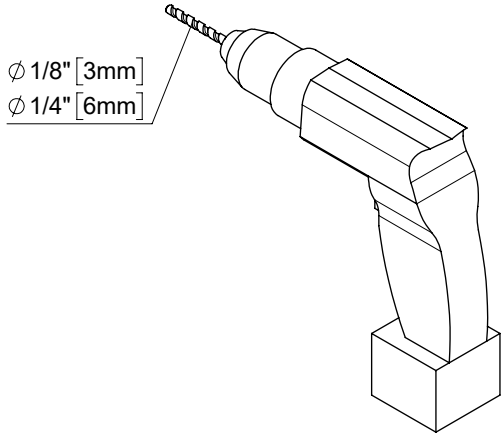
OPTION

Pivot Connector
1088611-0101
Conector de Pivote

<p>12</p> <p>x 1 K2-1088631</p>	<p>21</p> <p>x 4 K3-10491 Ø4,8 x 12 mm</p>
-------------------------------------	--



Tools Required
Herramientas necesarias

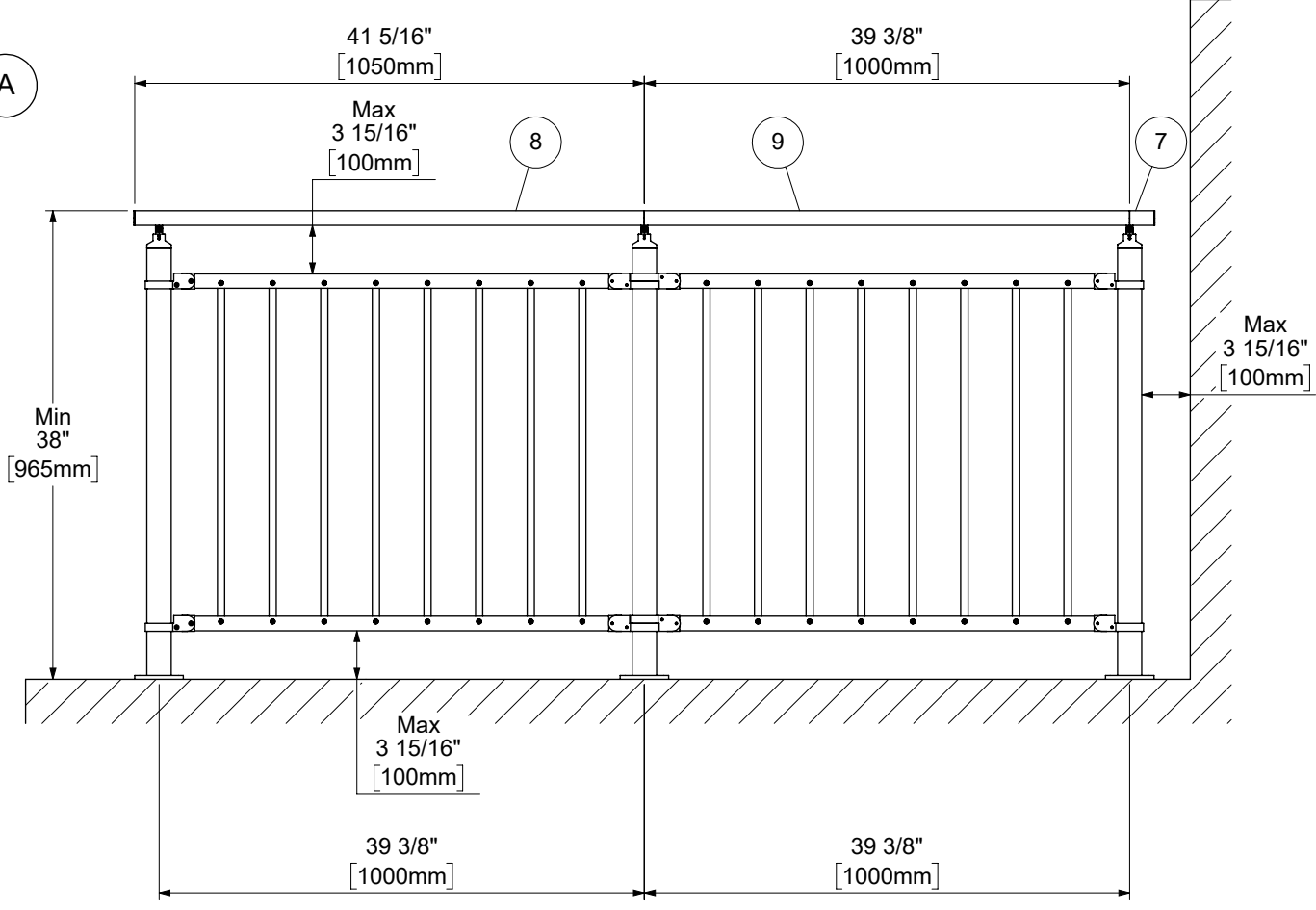




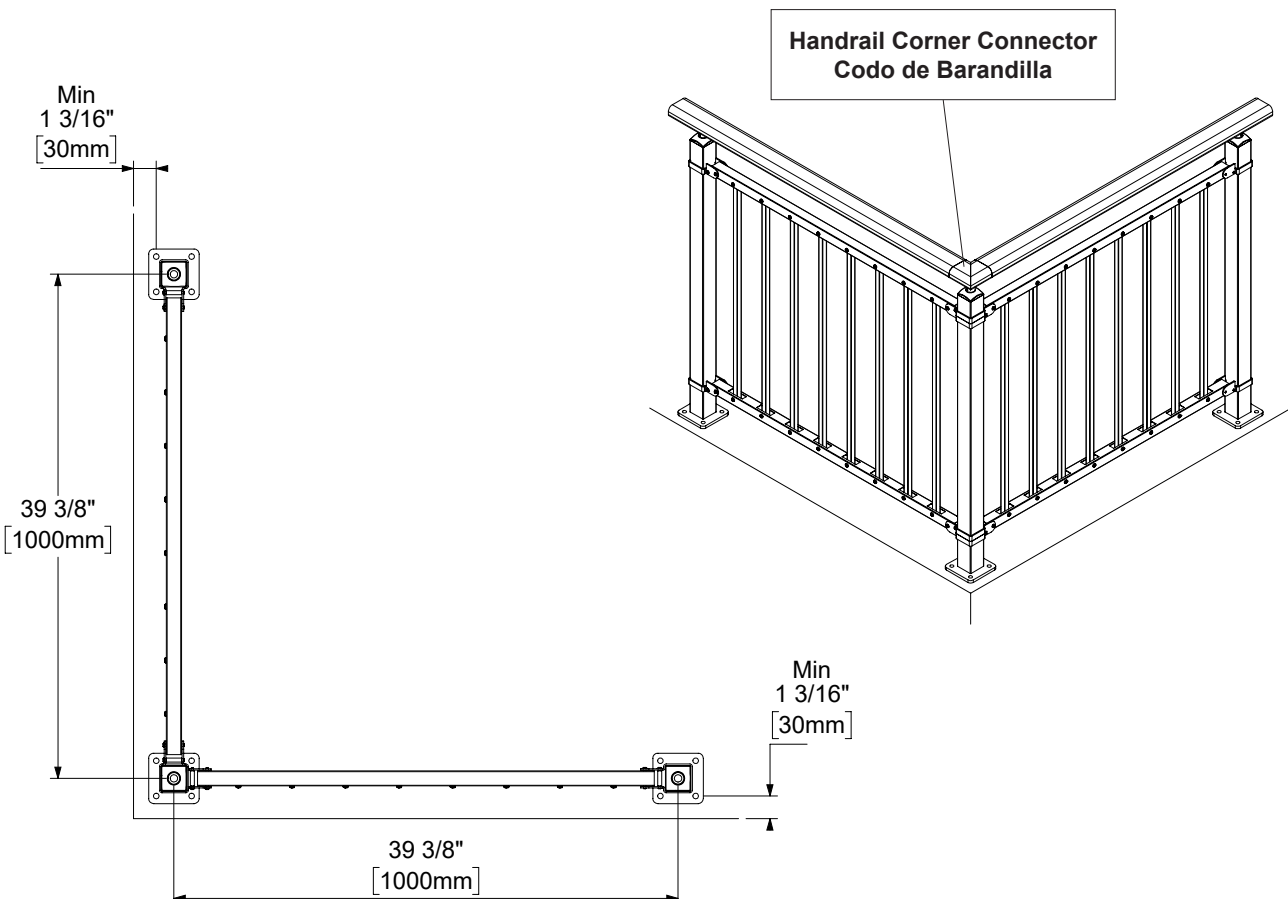
Start Kit
Kit de Inicio

Continuous Kit
Kit Continuo

A

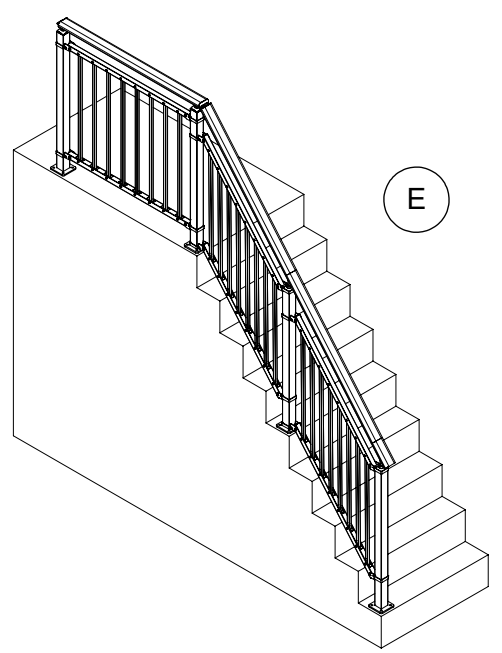
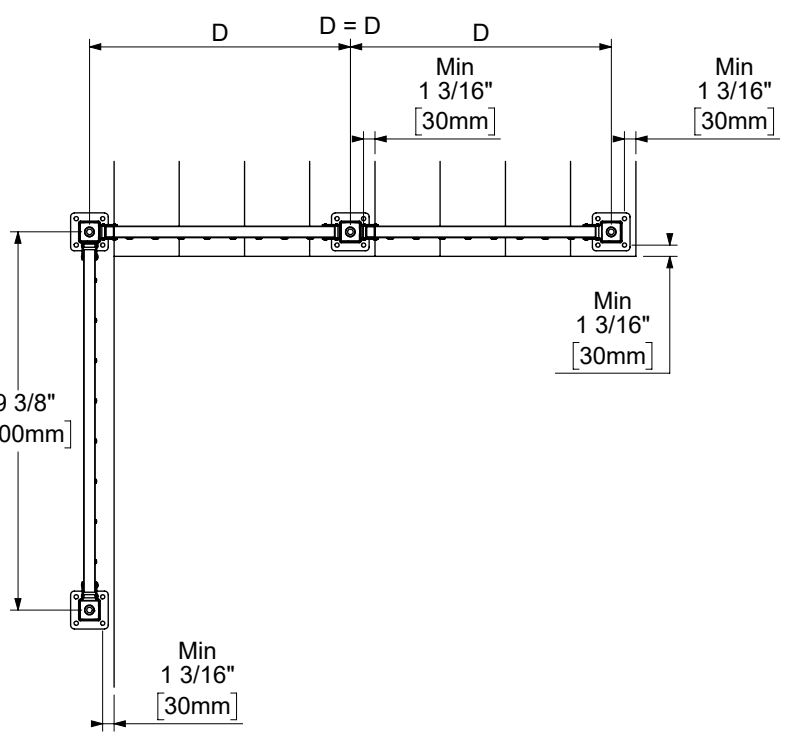
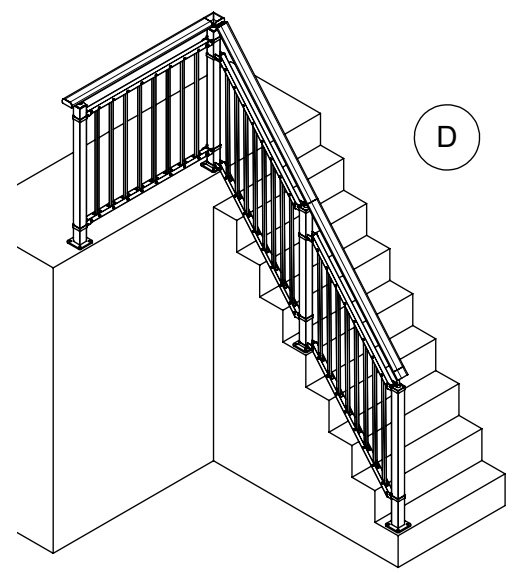
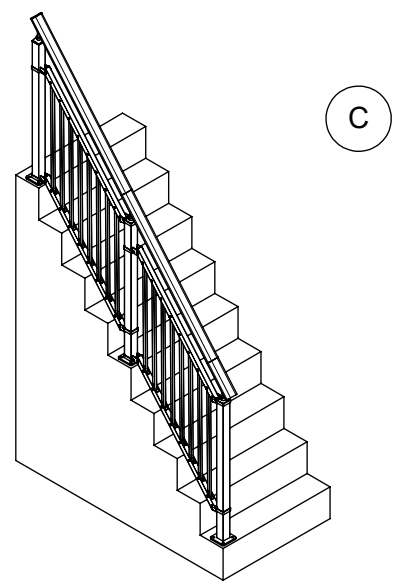
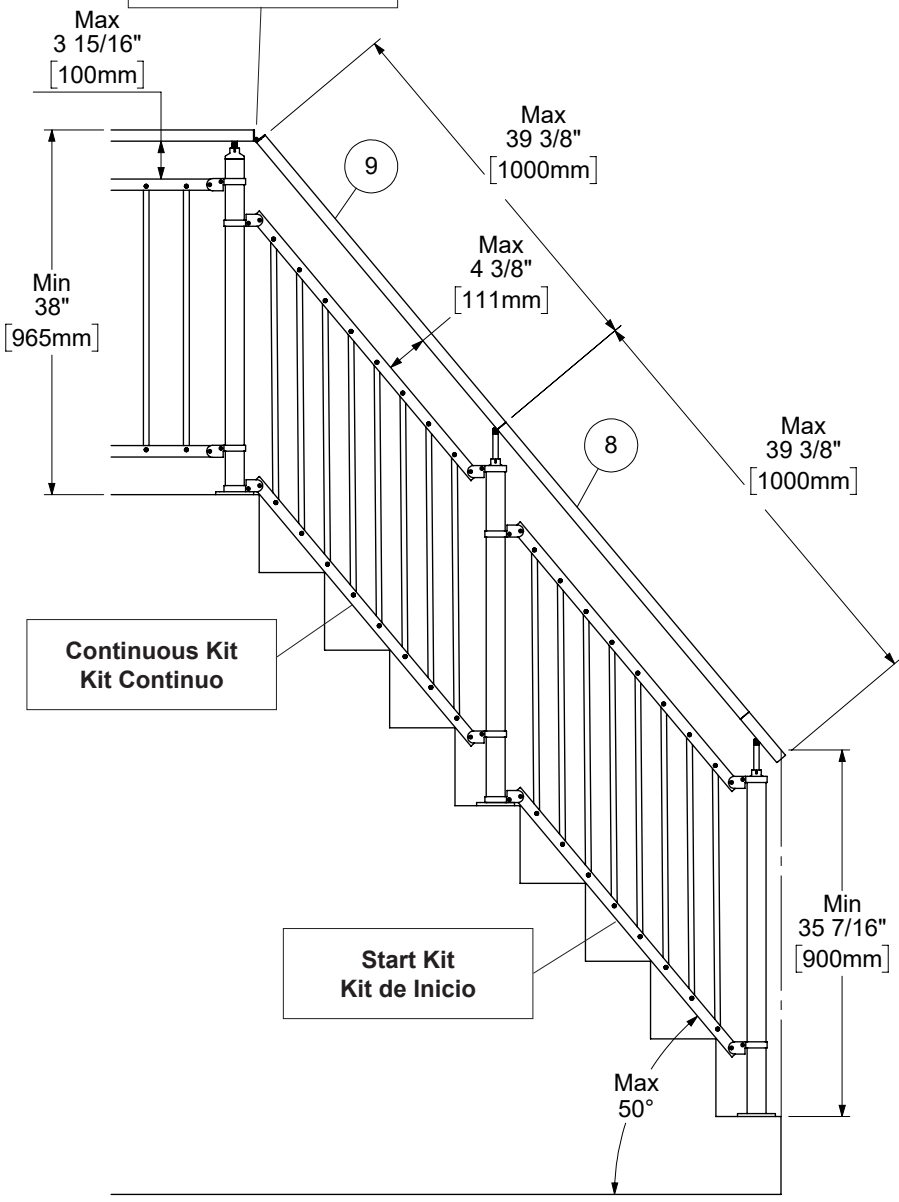


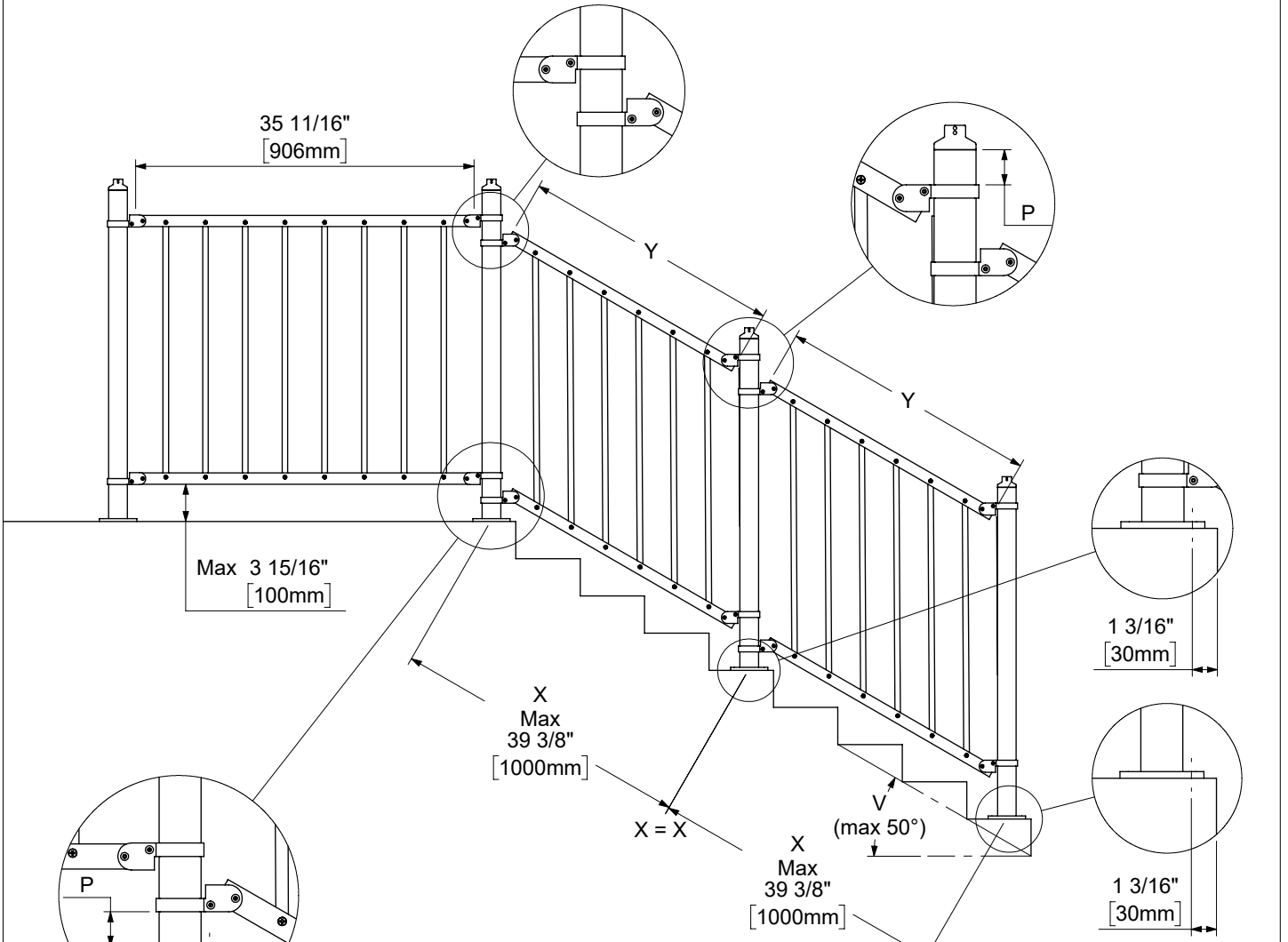
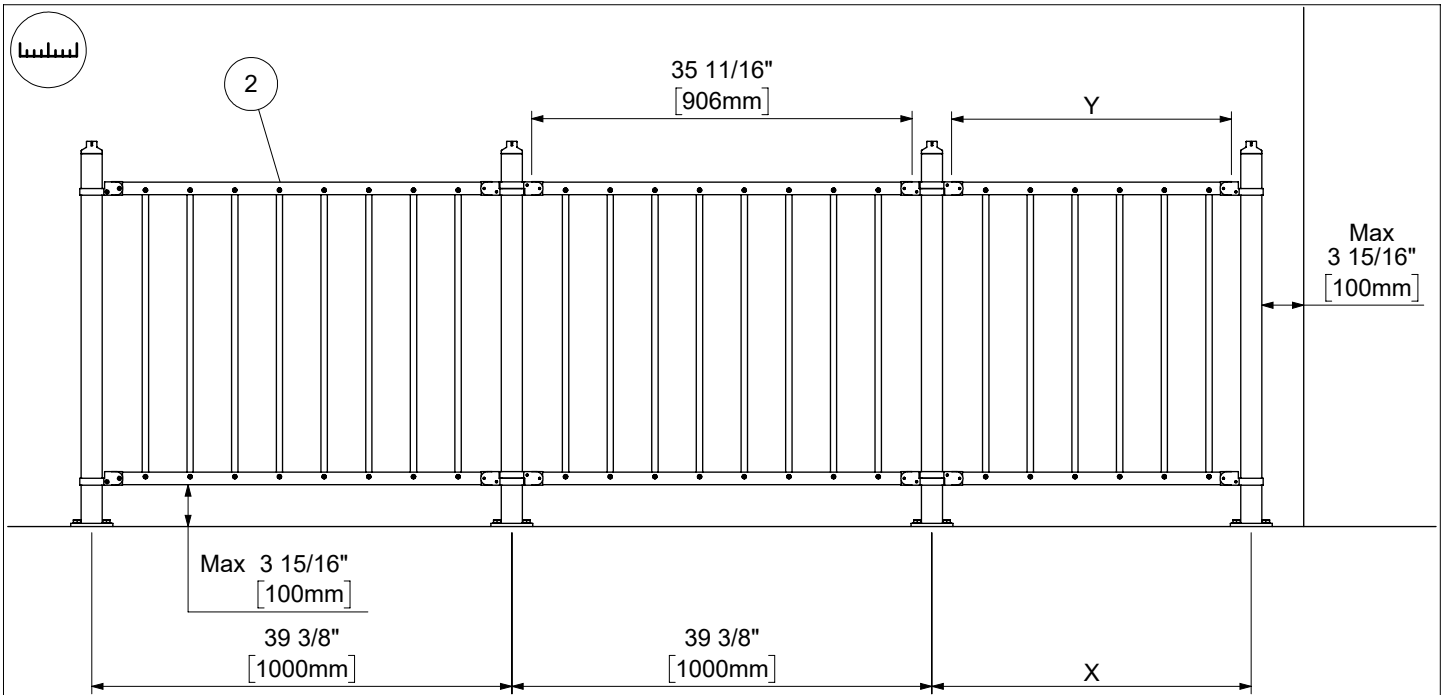
B





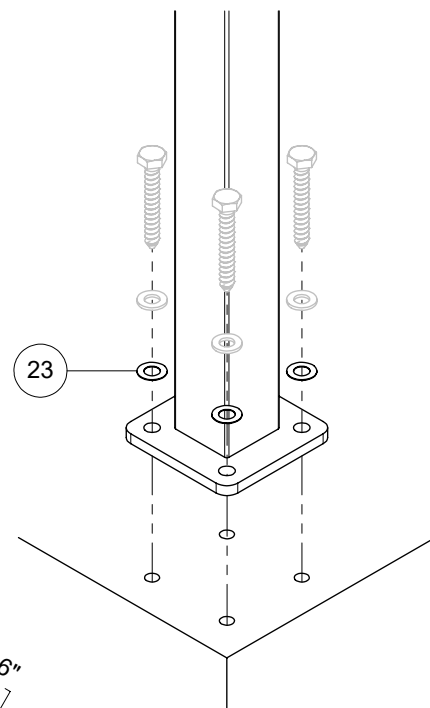
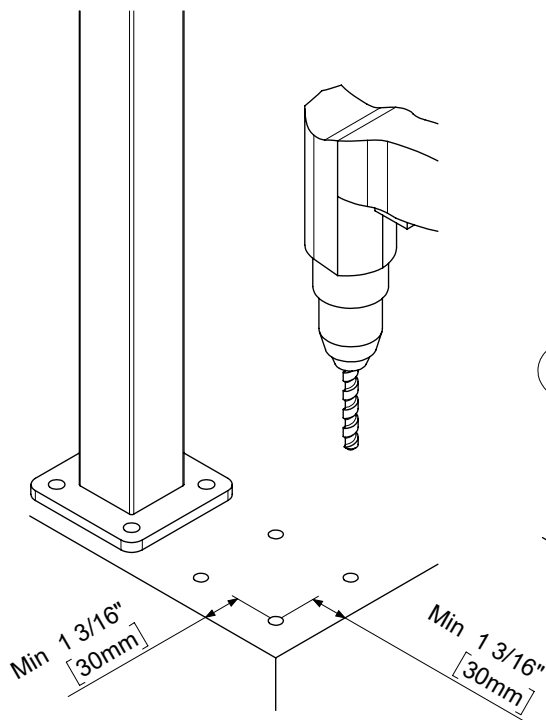
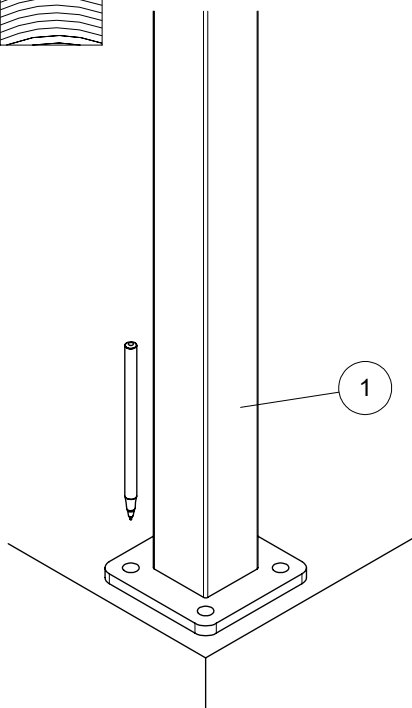
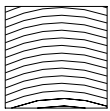
Pivot Connector
Conector de Pivote



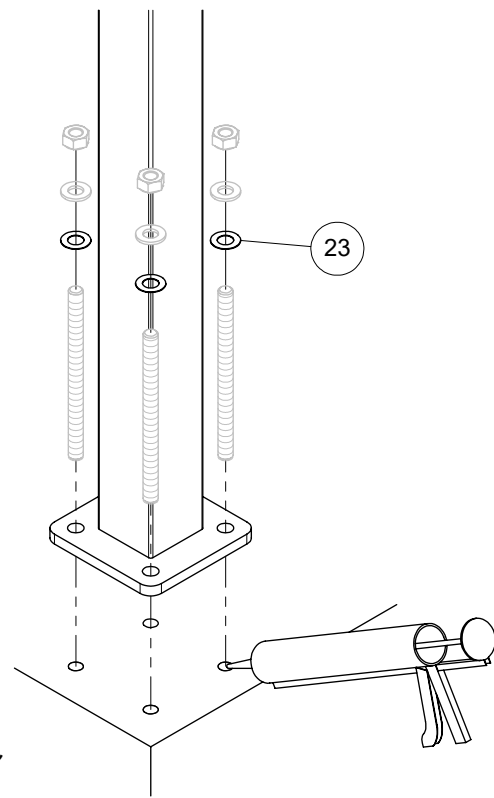
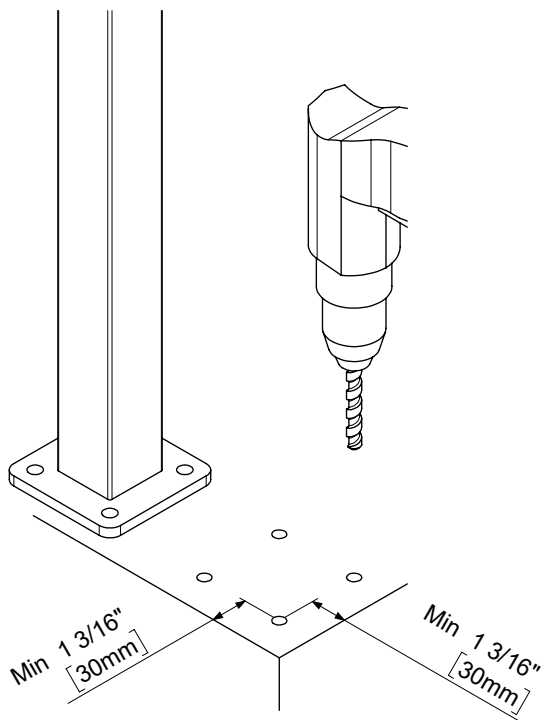
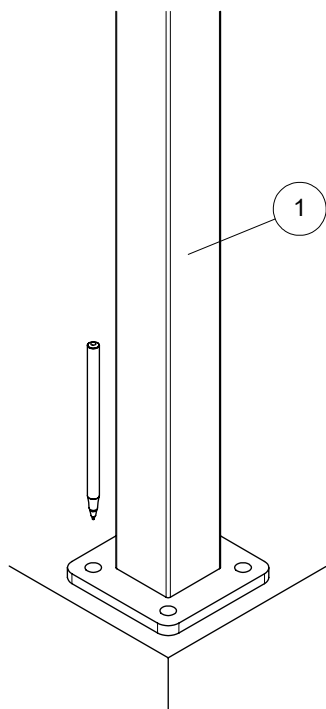
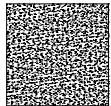


V	Y	P
15°	X - 3 7/8" [99mm]	2 7/16" [62mm]
20°	X - 4" [102mm]	2 3/16" [55mm]
25°	X - 4 1/4" [108mm]	1 15/16" [49mm]
30°	X - 4 1/2" [114mm]	1 5/8" [41mm]
35°	X - 4 13/16" [123mm]	1 5/16" [34mm]
40°	X - 5 1/4" [134mm]	1" [25mm]
45°	X - 5 7/8" [149mm]	9/16" [14mm]
50°	X - 6 9/16" [167mm]	0

1



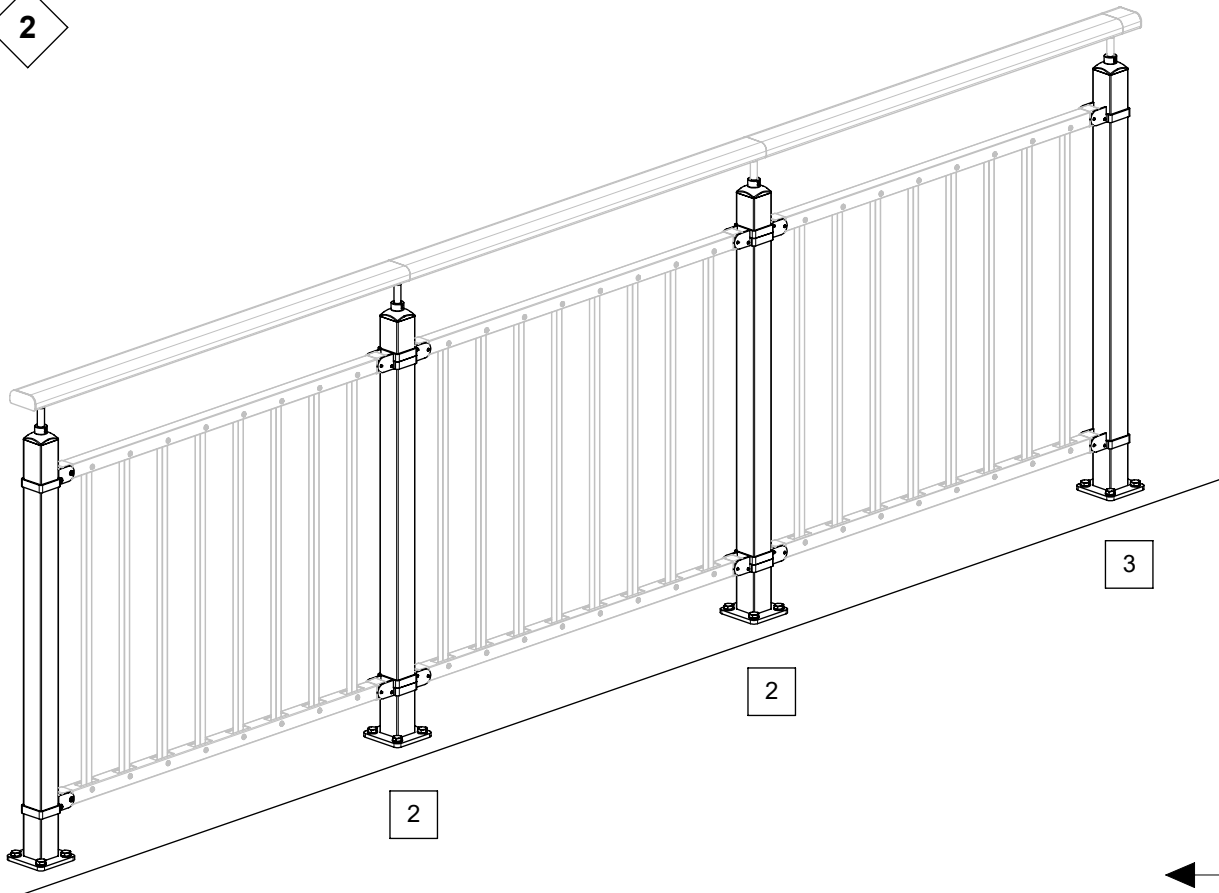
Hardware not included
Fijaciones no incluidas



Hardware not included
Fijaciones no incluidas

2

A



1

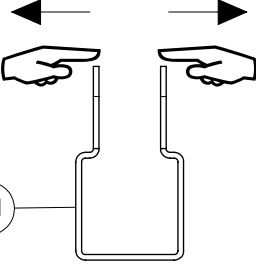
3

3.1

3.2

3.3

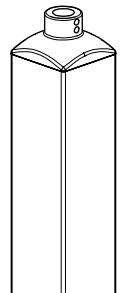
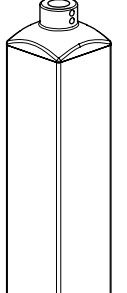
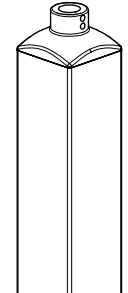
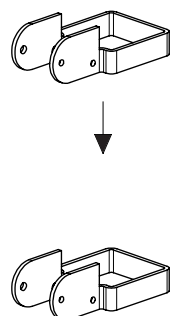
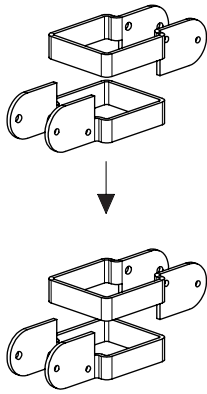
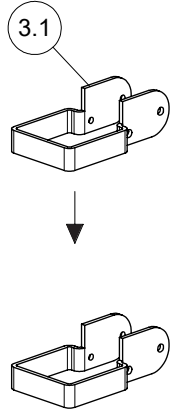
3.1



1

2

3



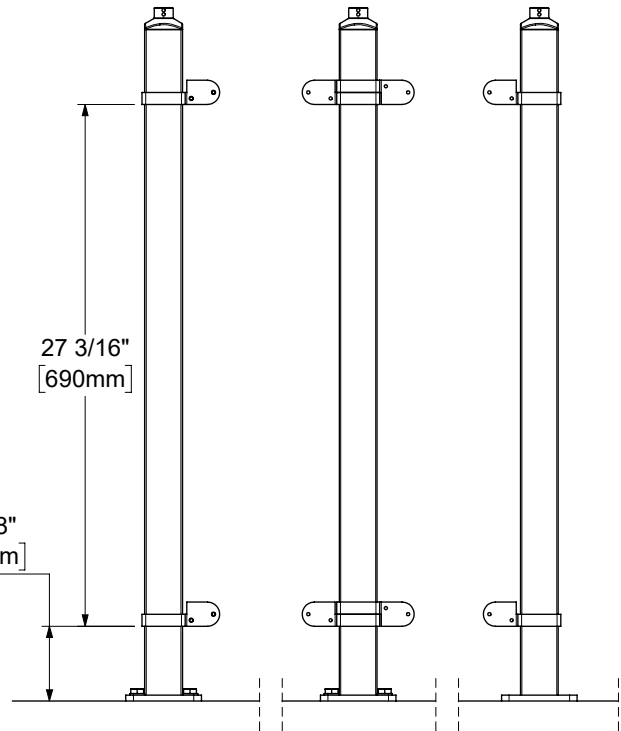
1

2

3

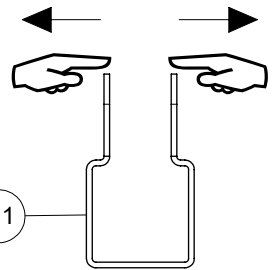
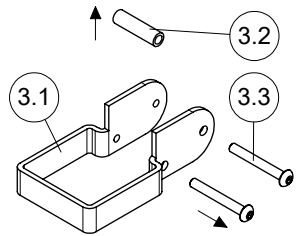
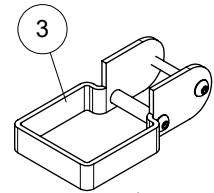
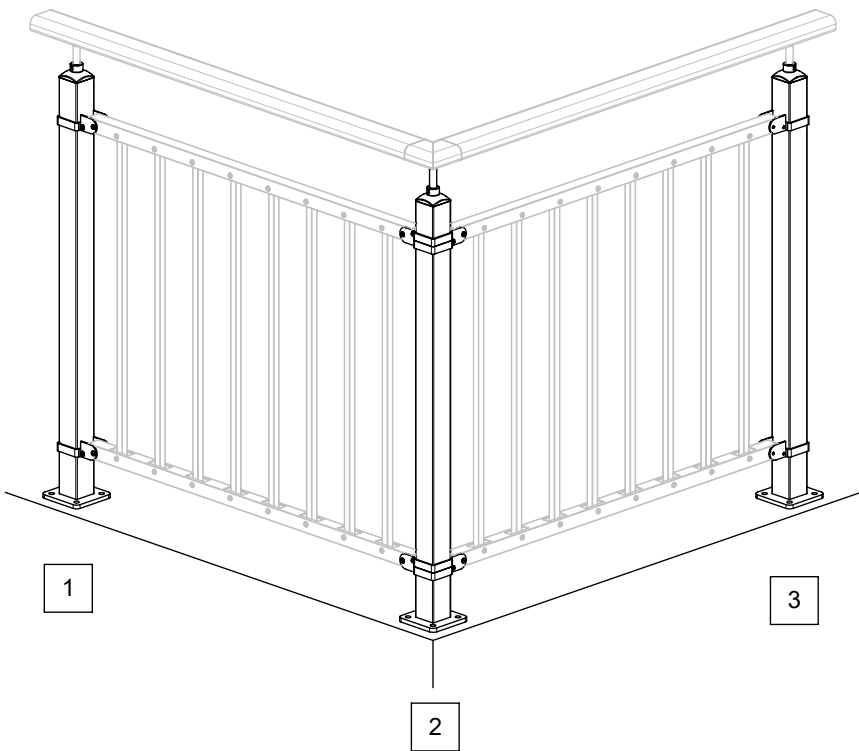
27 3/16" [690mm]

3 7/8" [99mm]



3

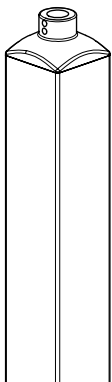
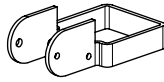
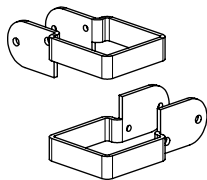
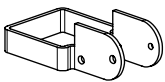
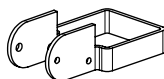
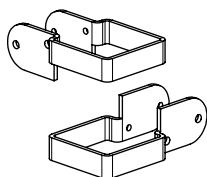
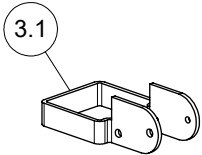
B



1

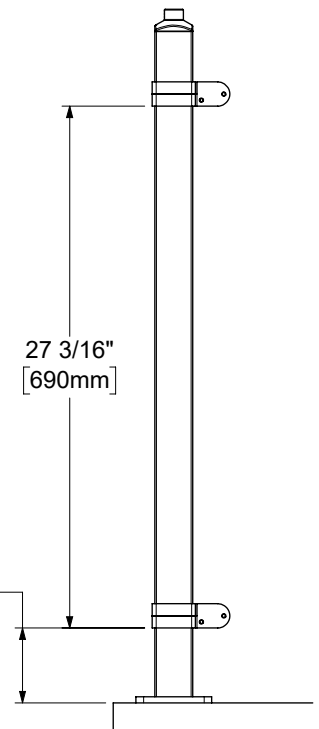
2

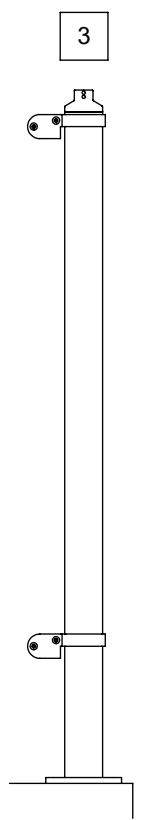
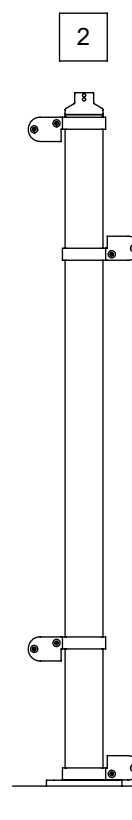
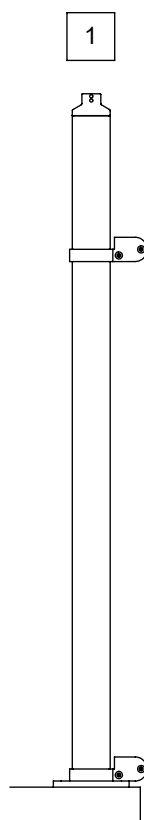
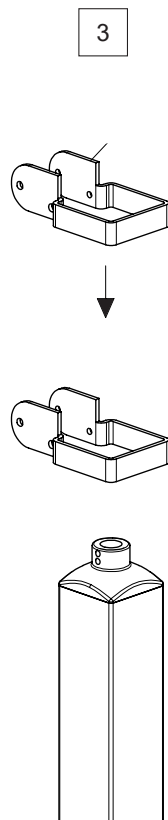
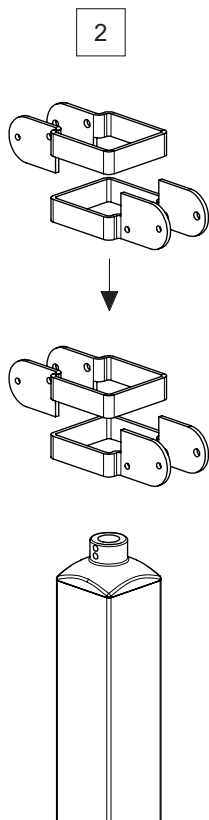
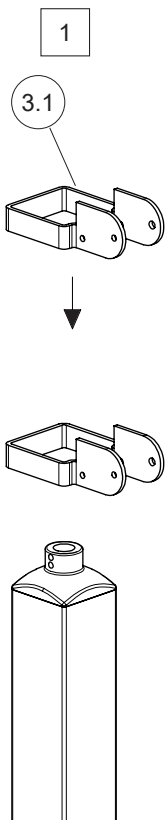
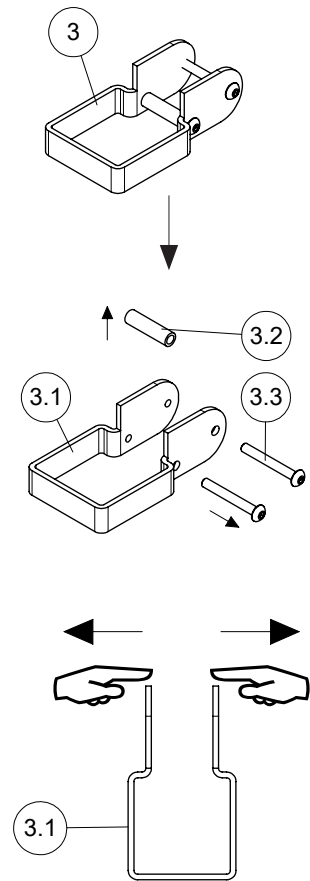
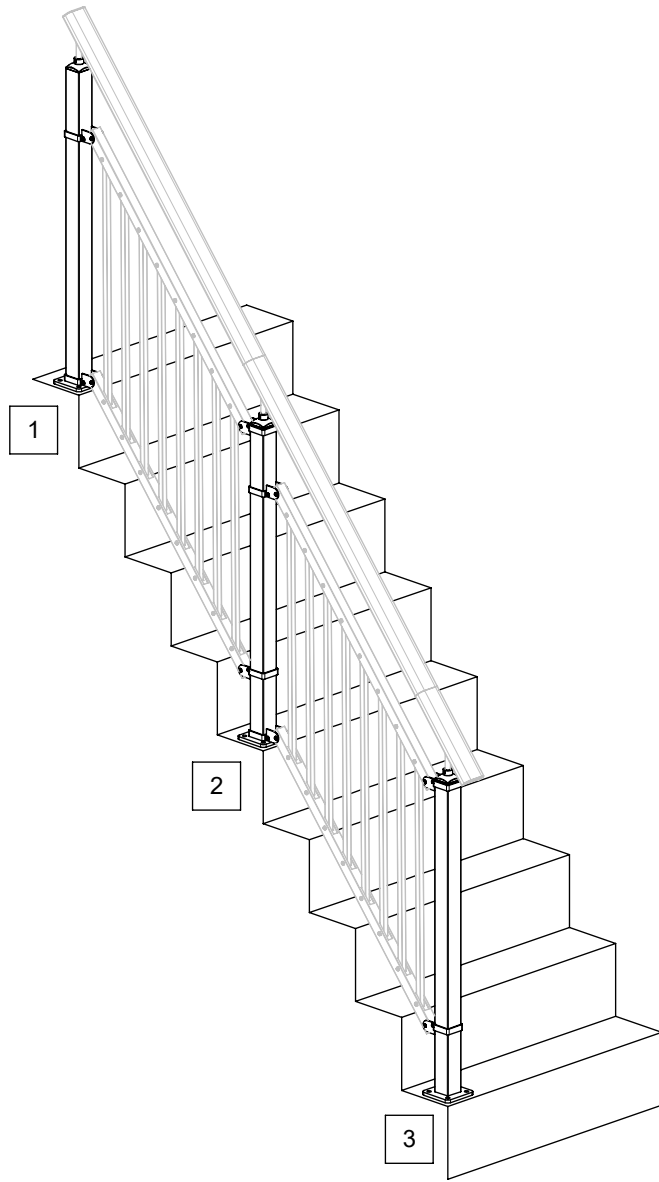
3



27 3/16"
[690mm]

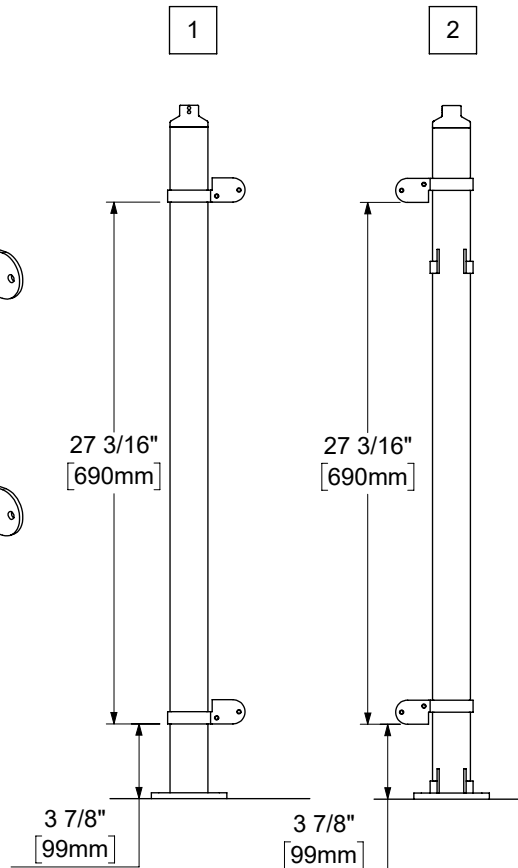
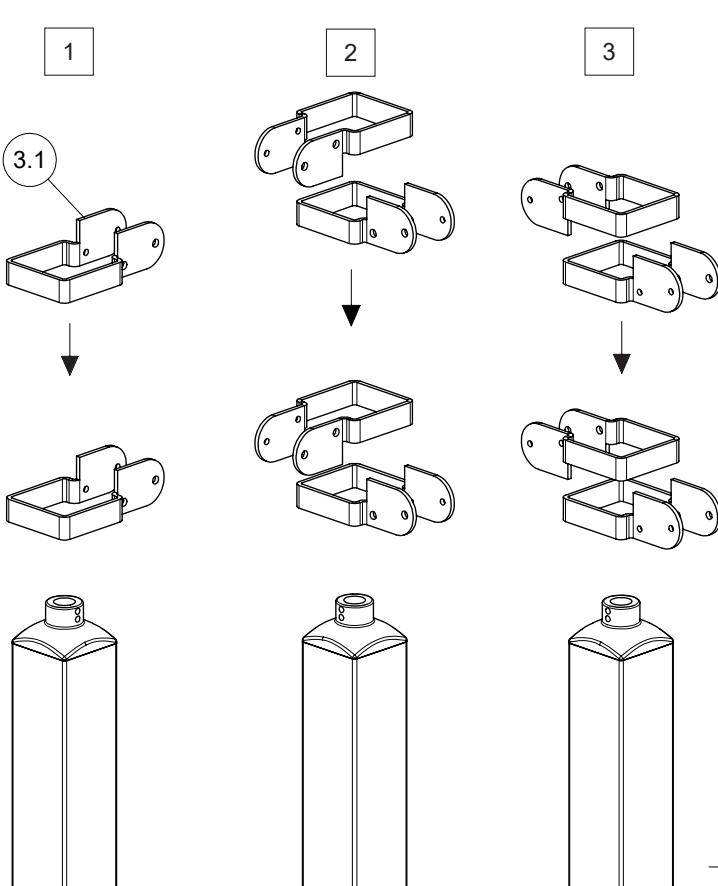
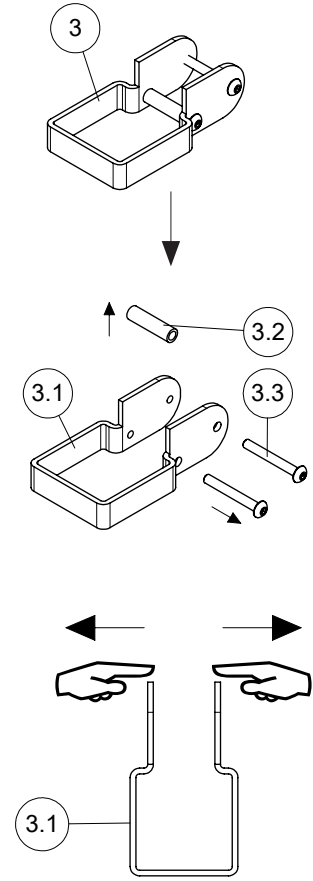
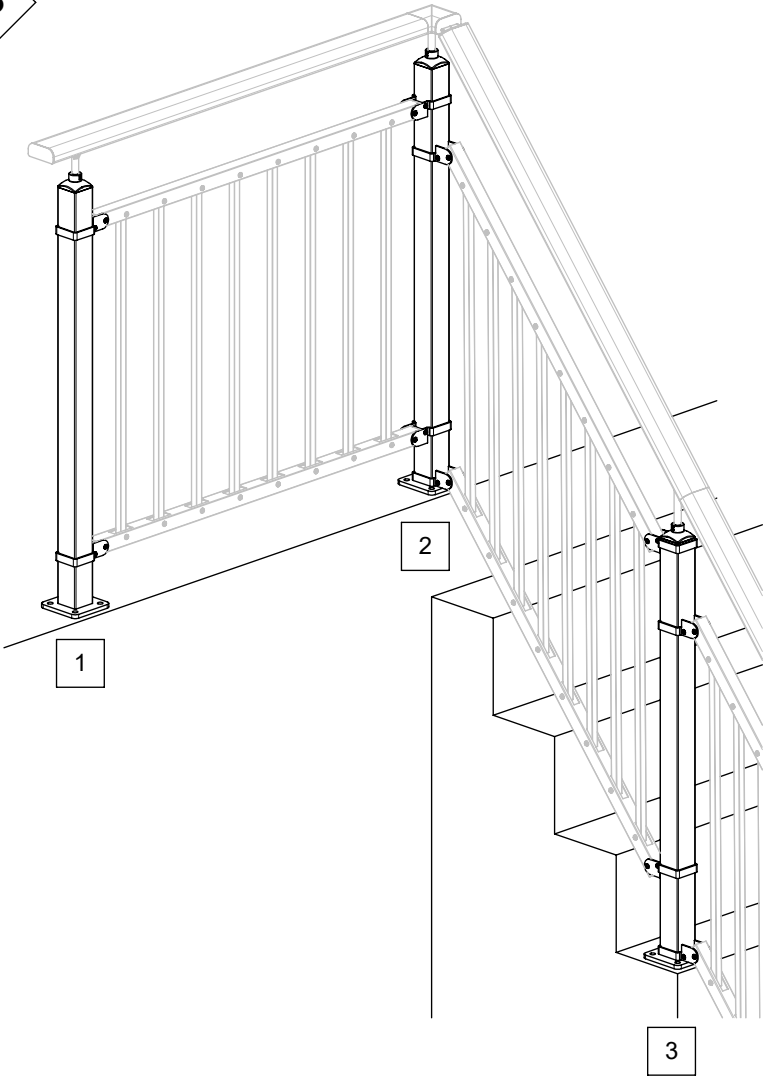
3 7/8"
[99mm]

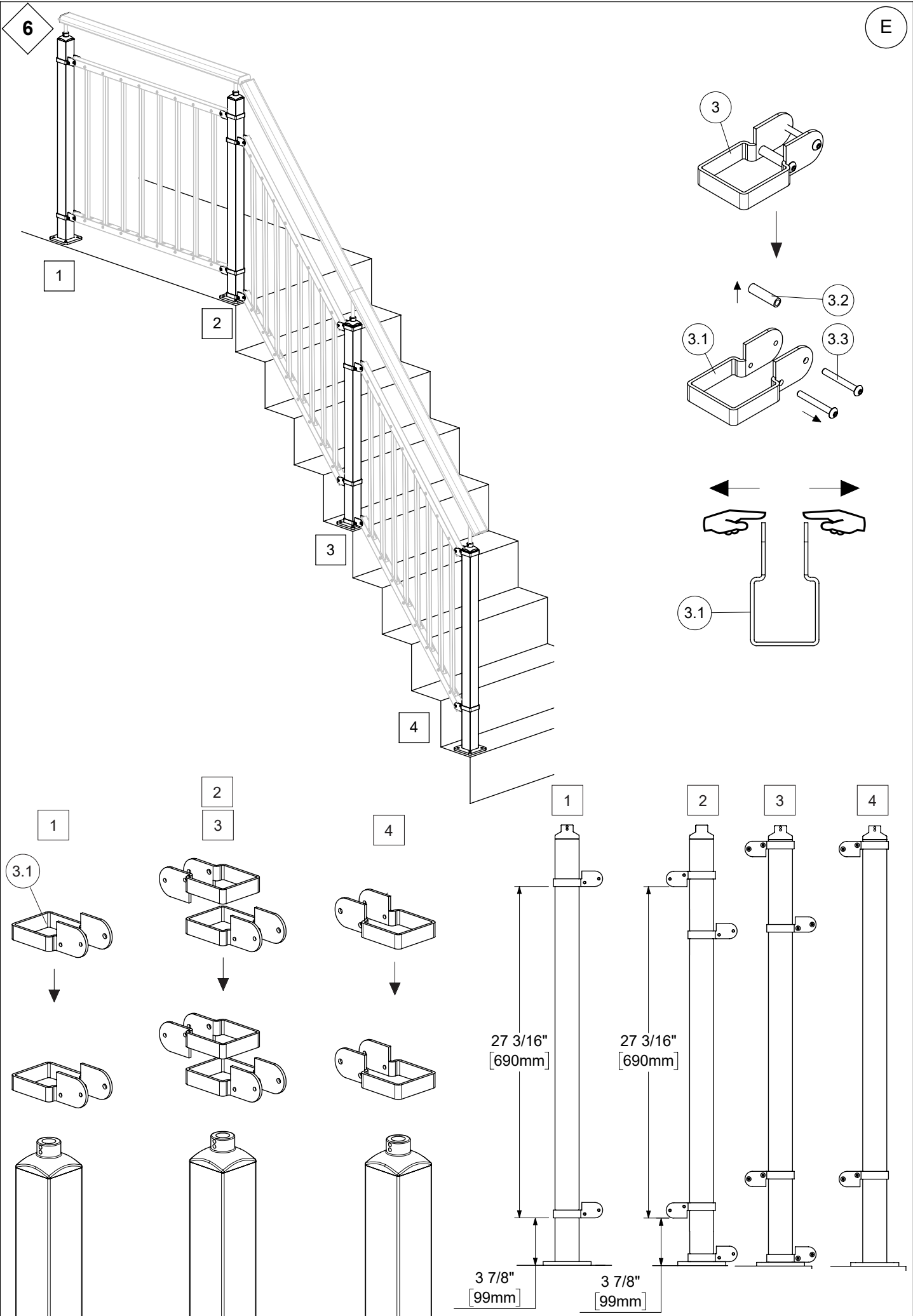




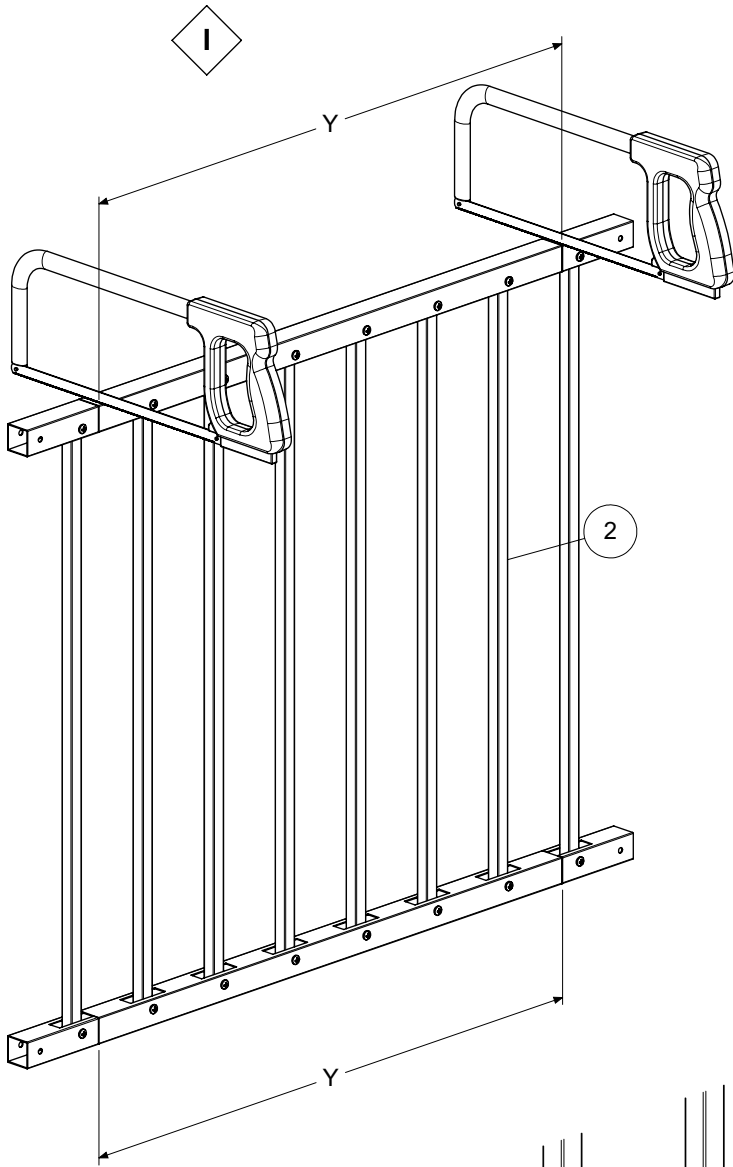
5

D

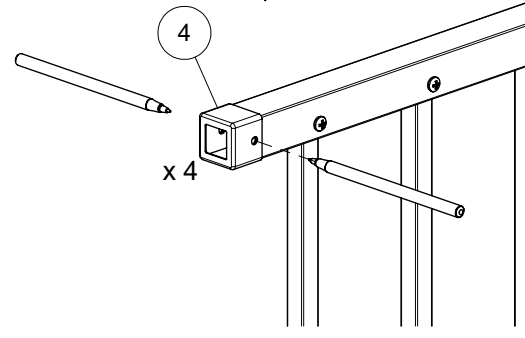




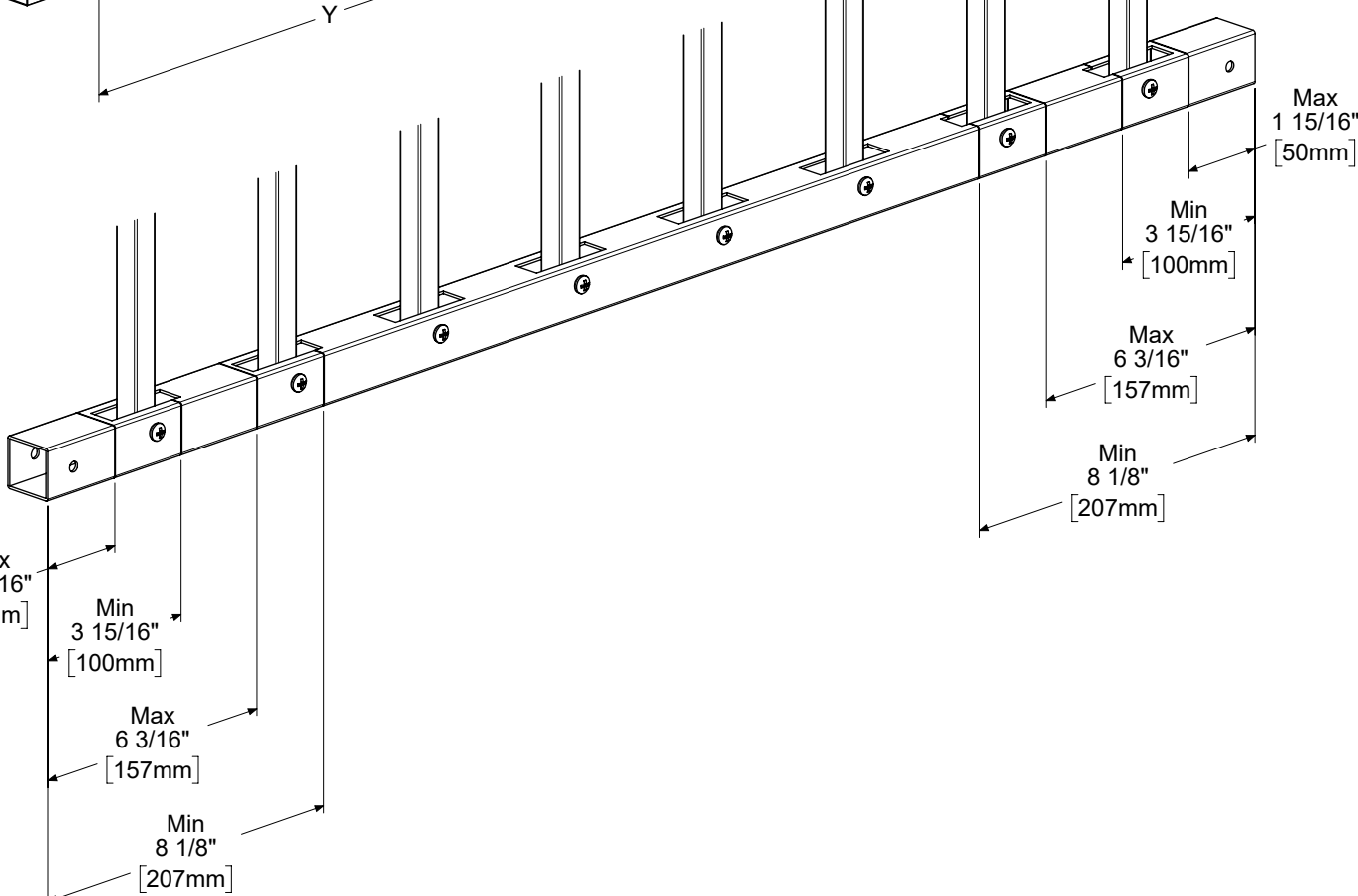
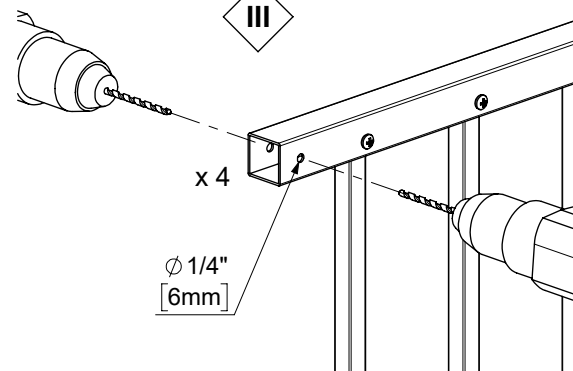
7



II

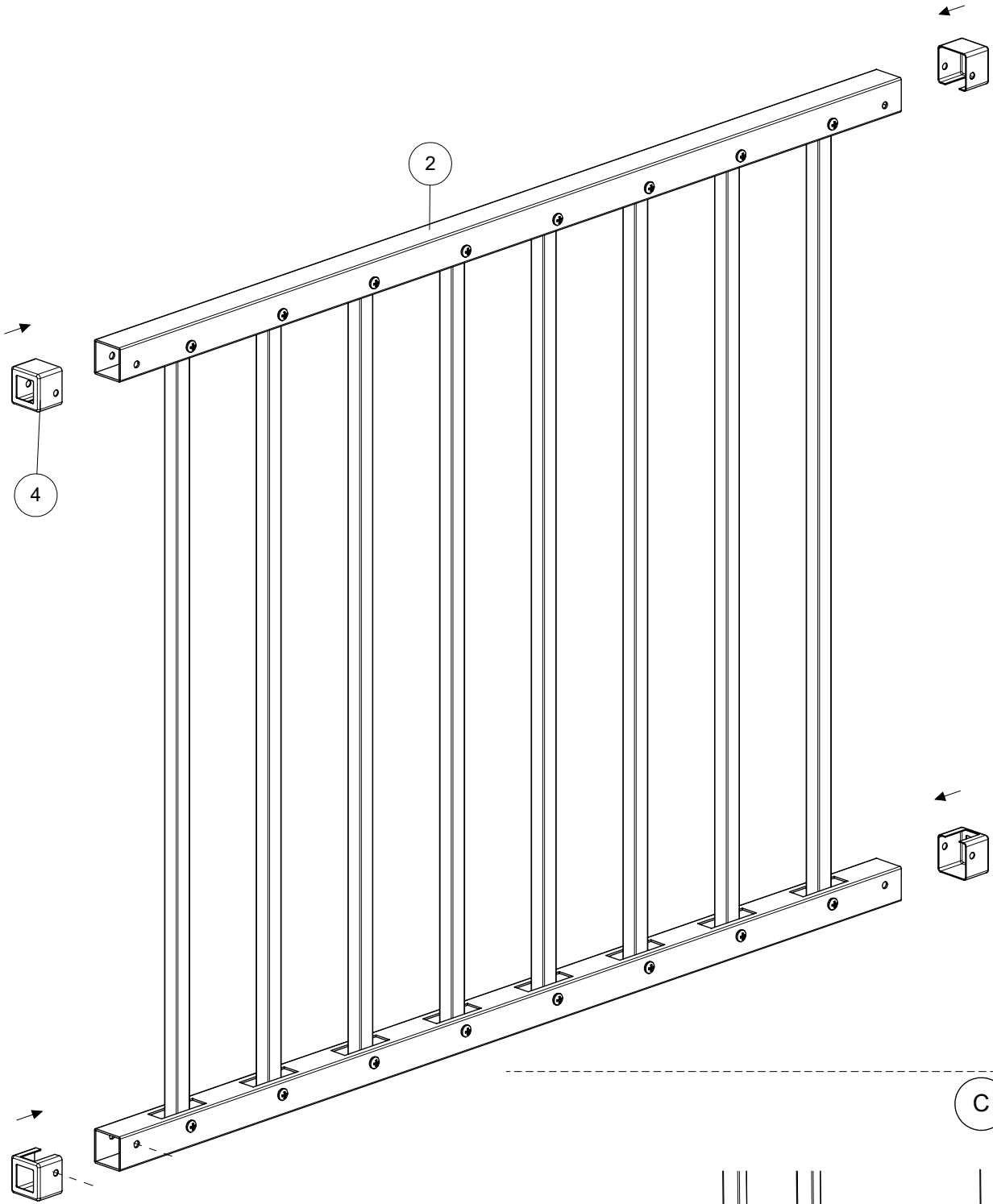


III

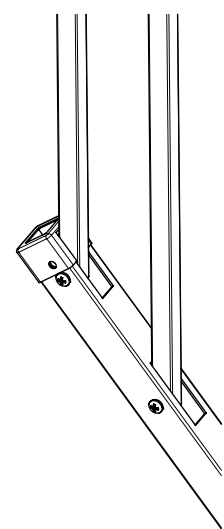
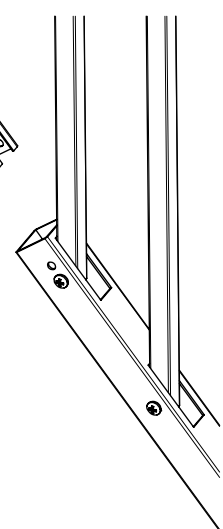
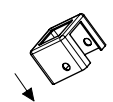
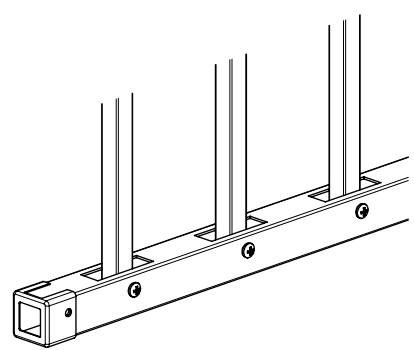


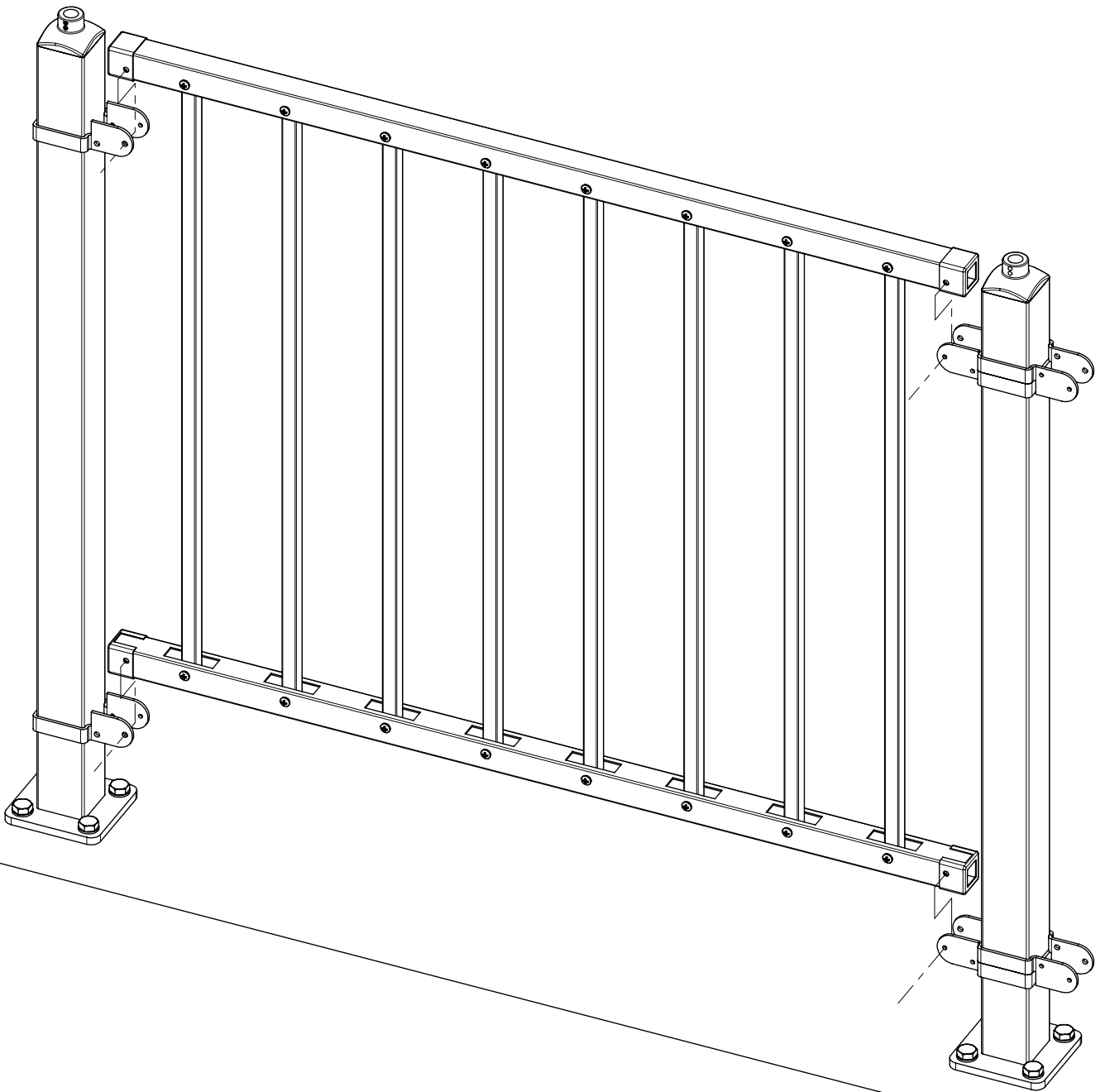
8

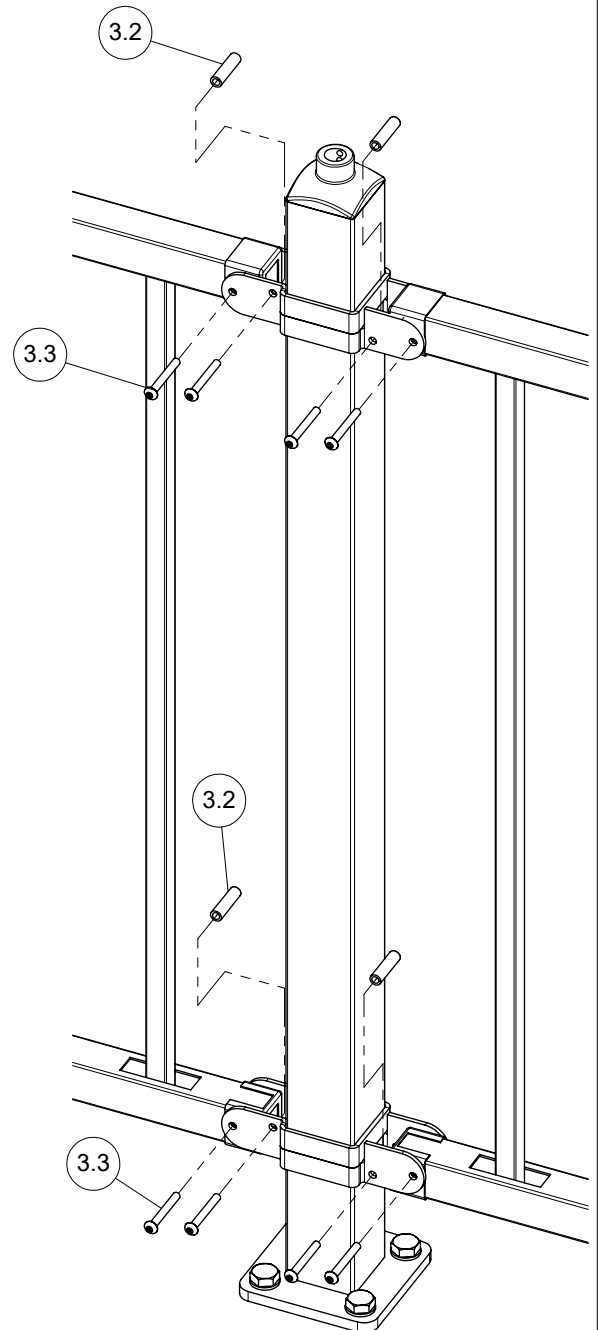
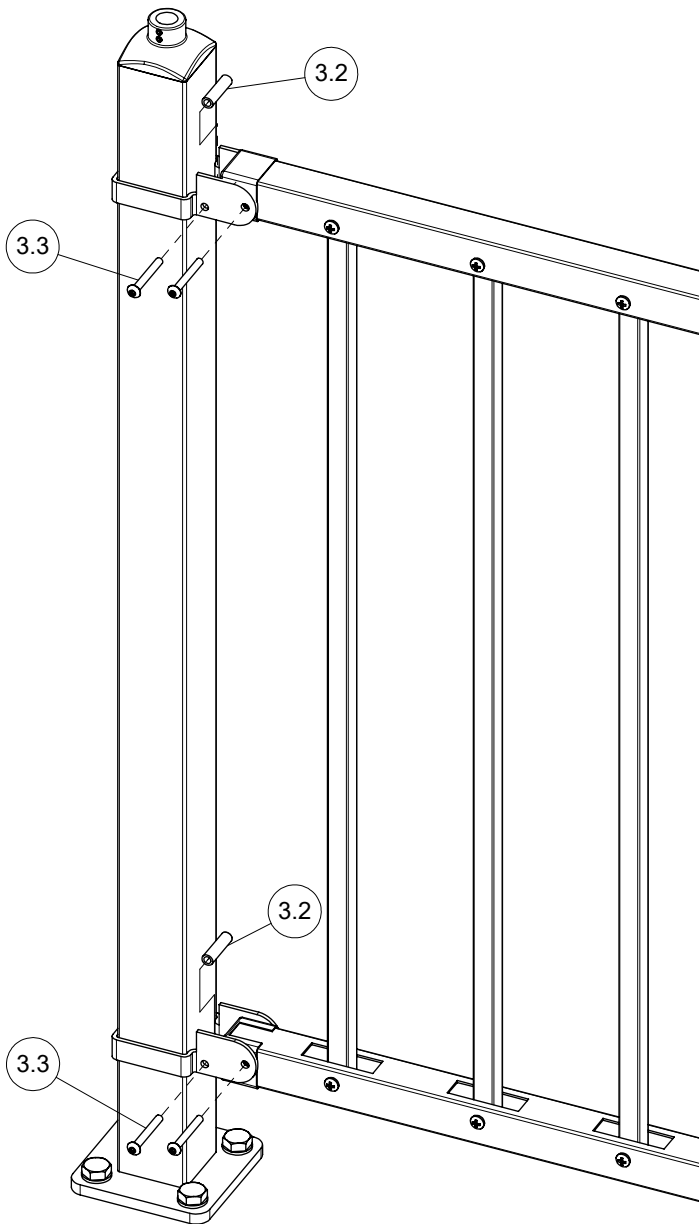
A B

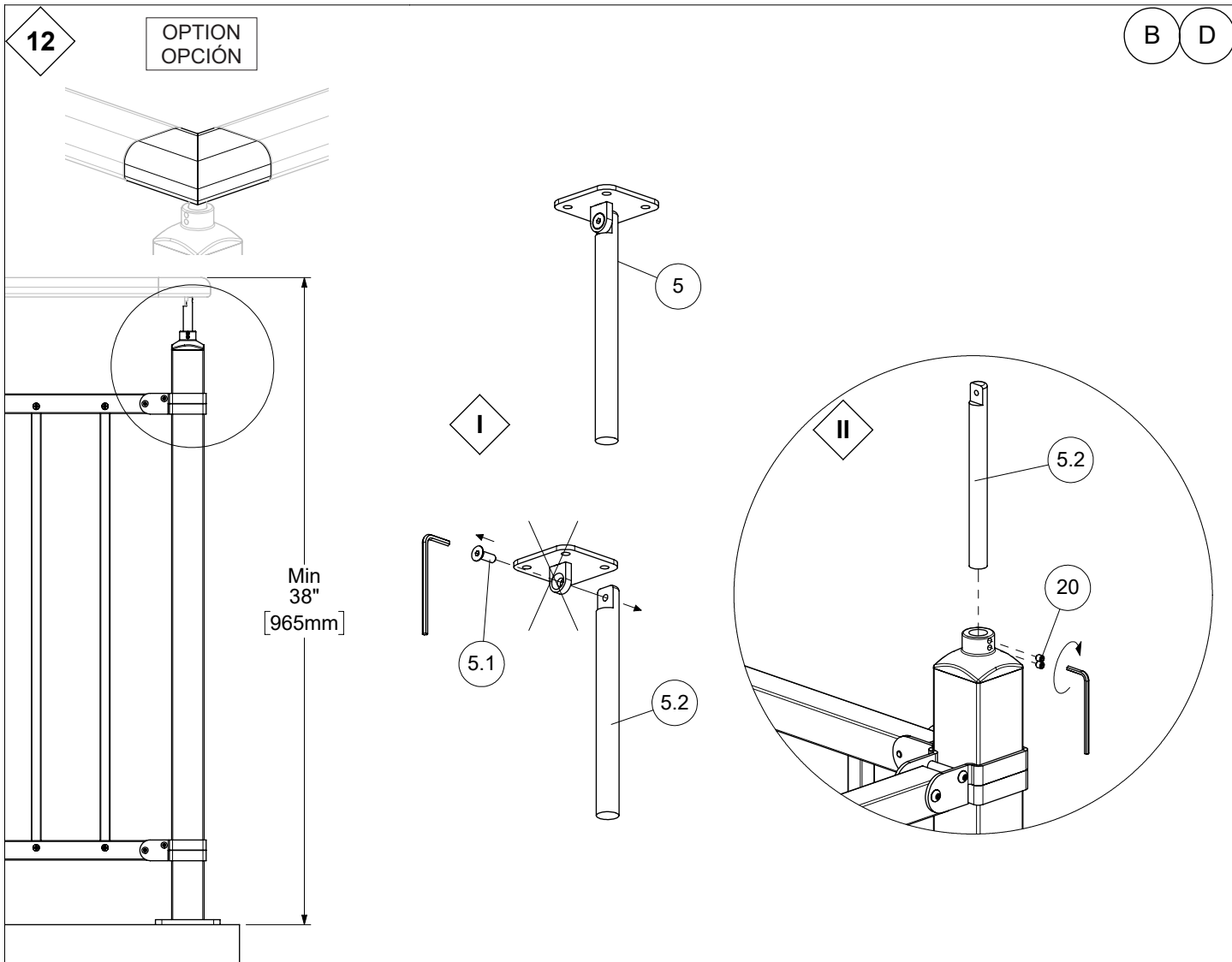
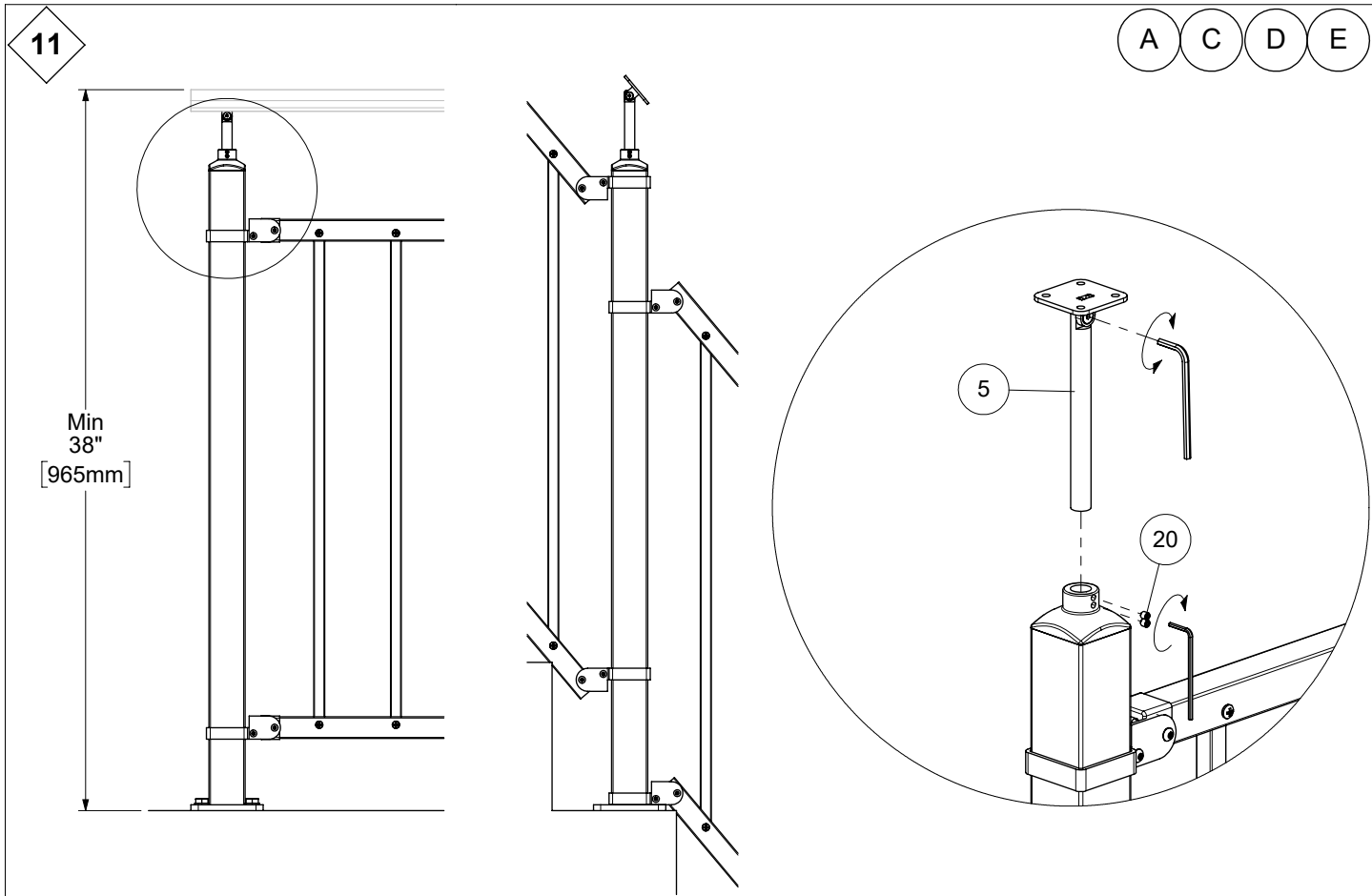


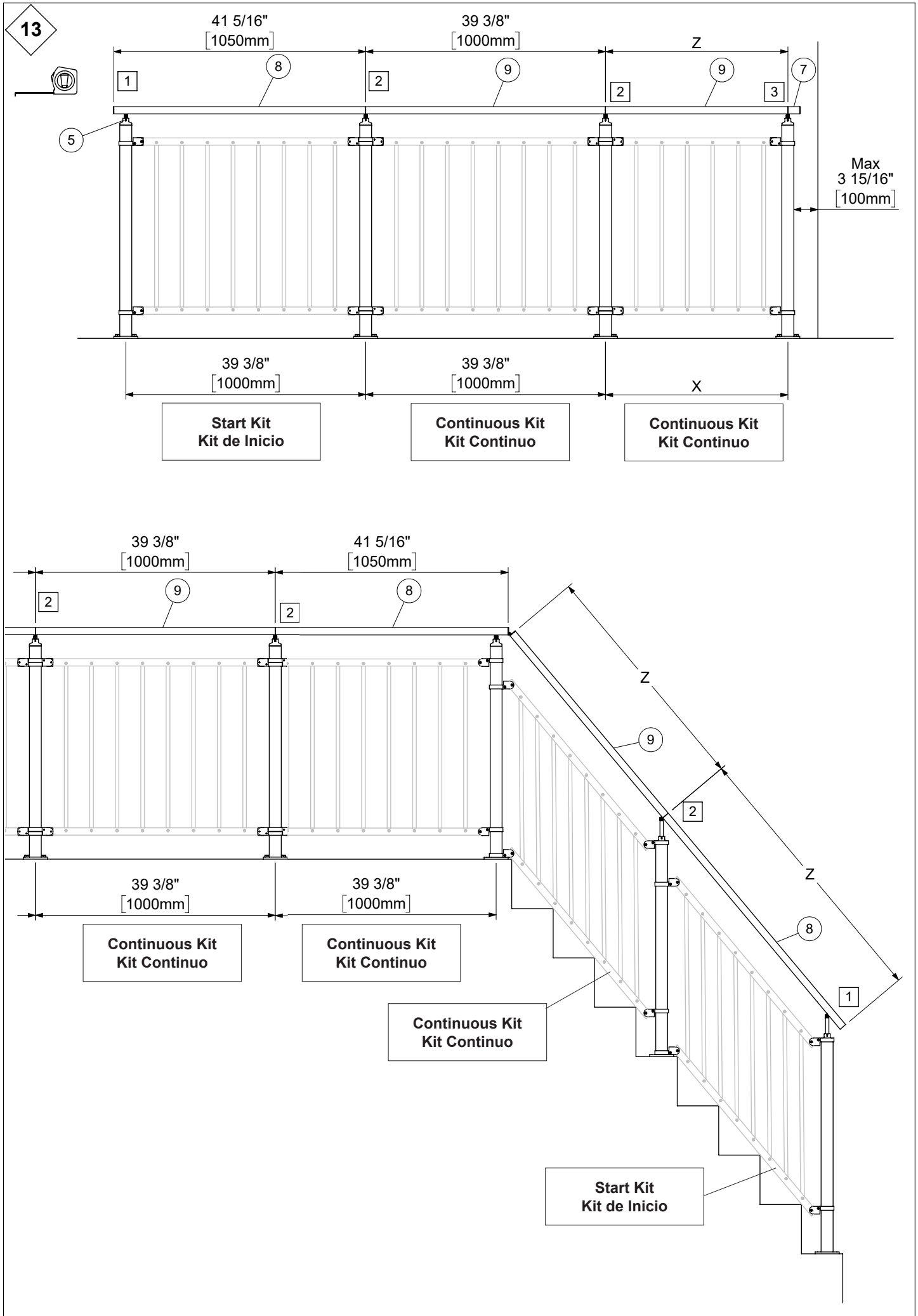
C D E



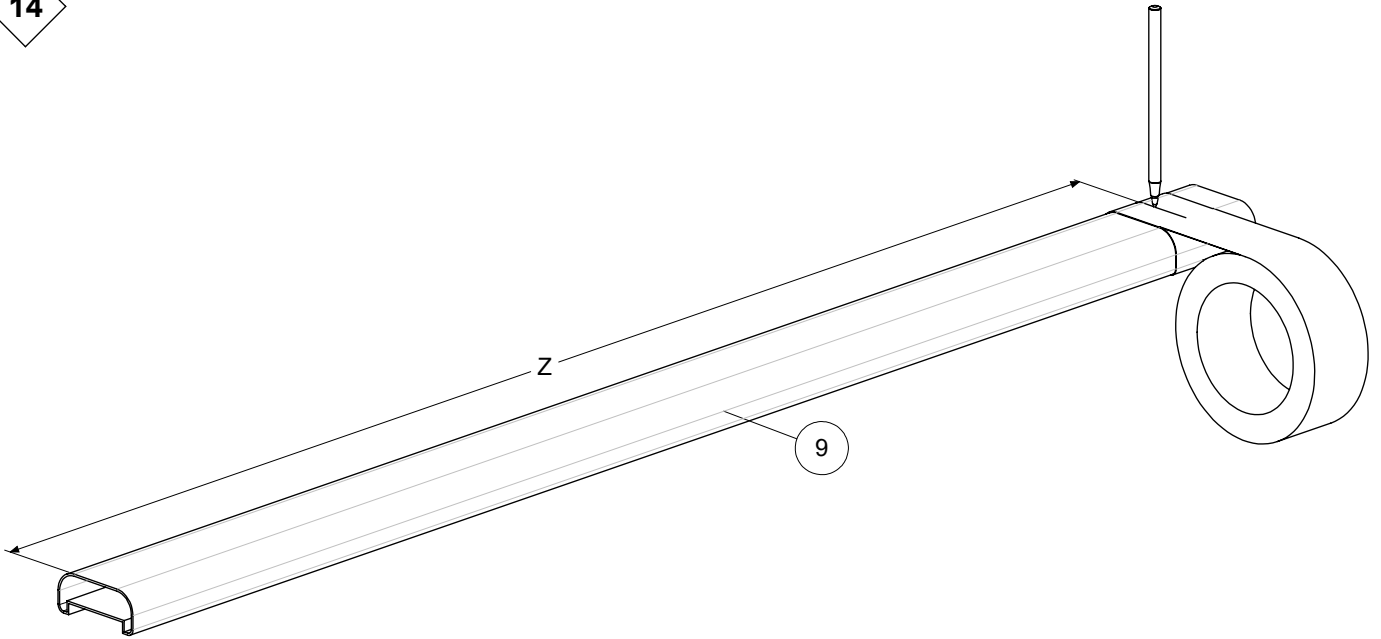








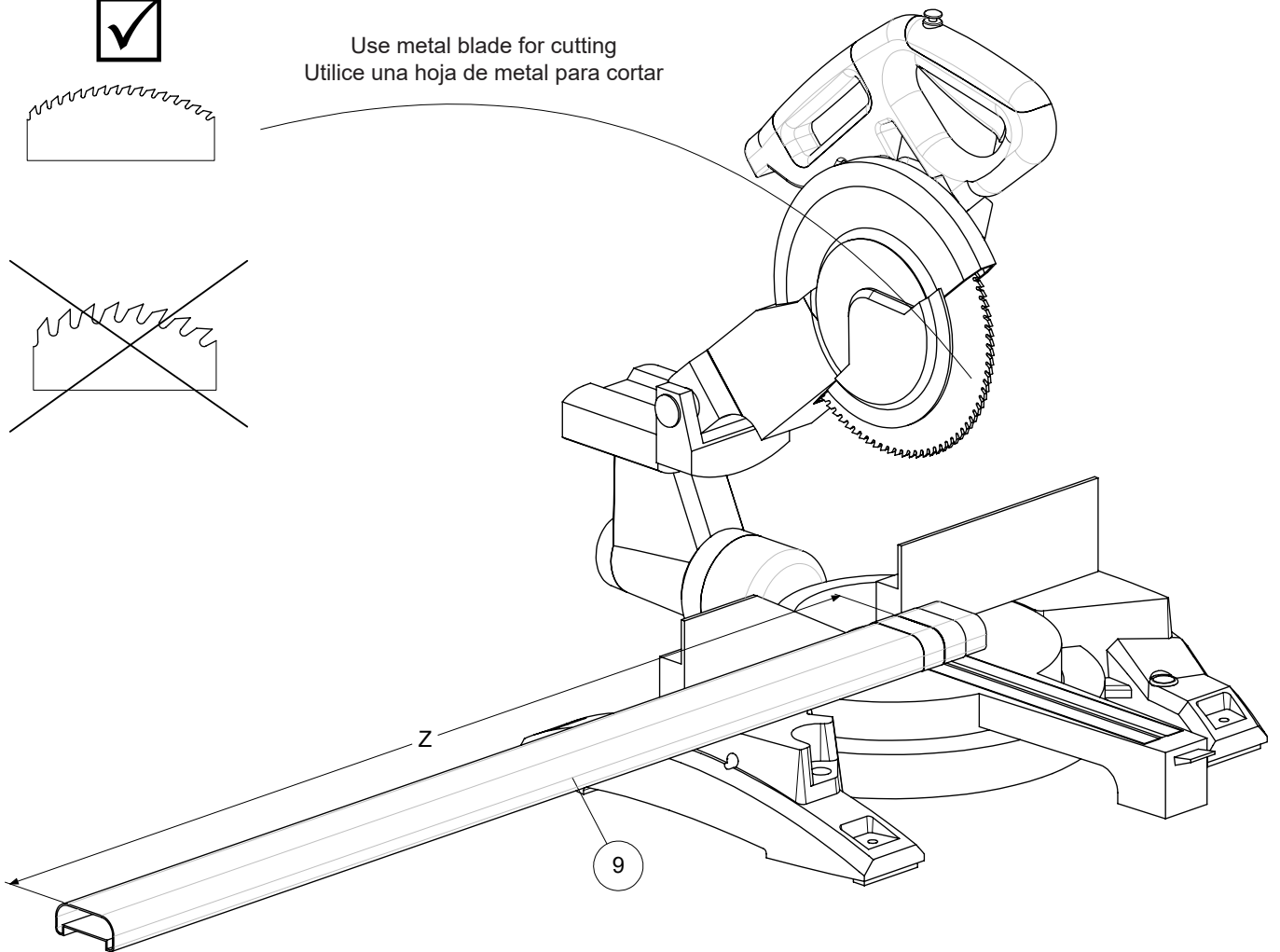
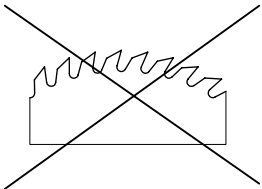
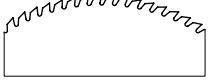
14



15

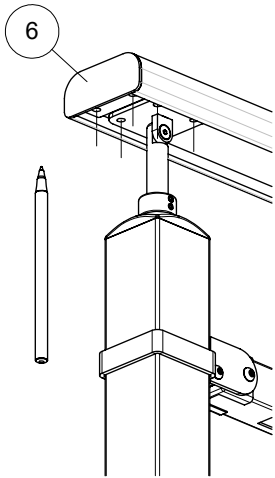


Use metal blade for cutting
Utilice una hoja de metal para cortar

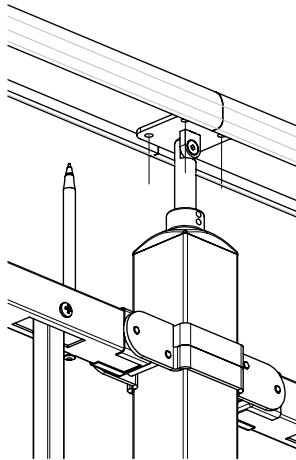


16

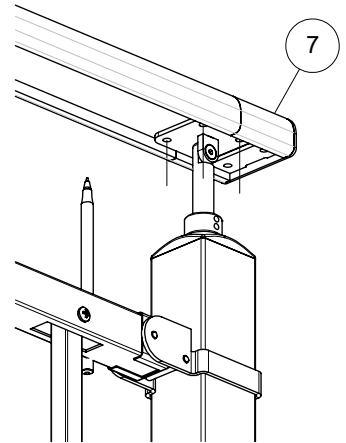
1



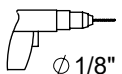
2



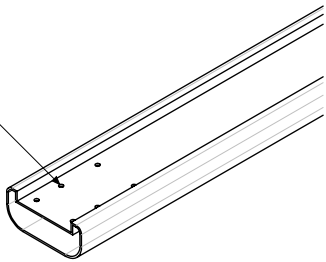
3



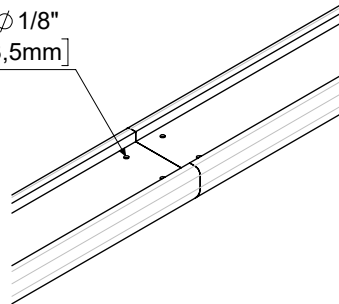
II



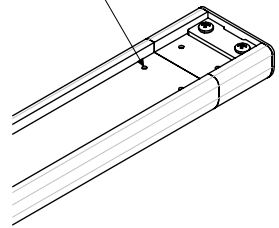
Ø 1/8"
[3,5mm]



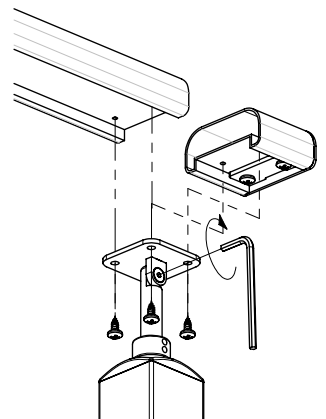
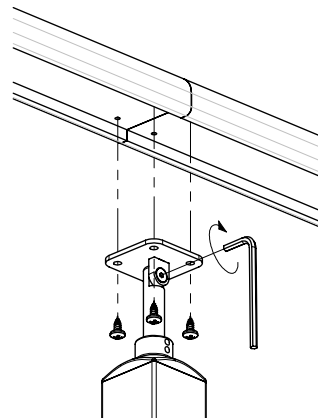
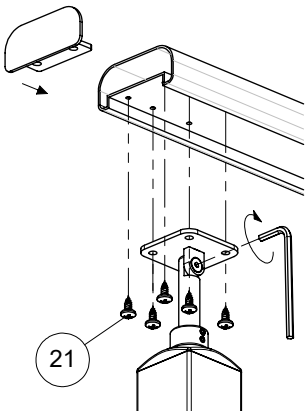
Ø 1/8"
[3,5mm]

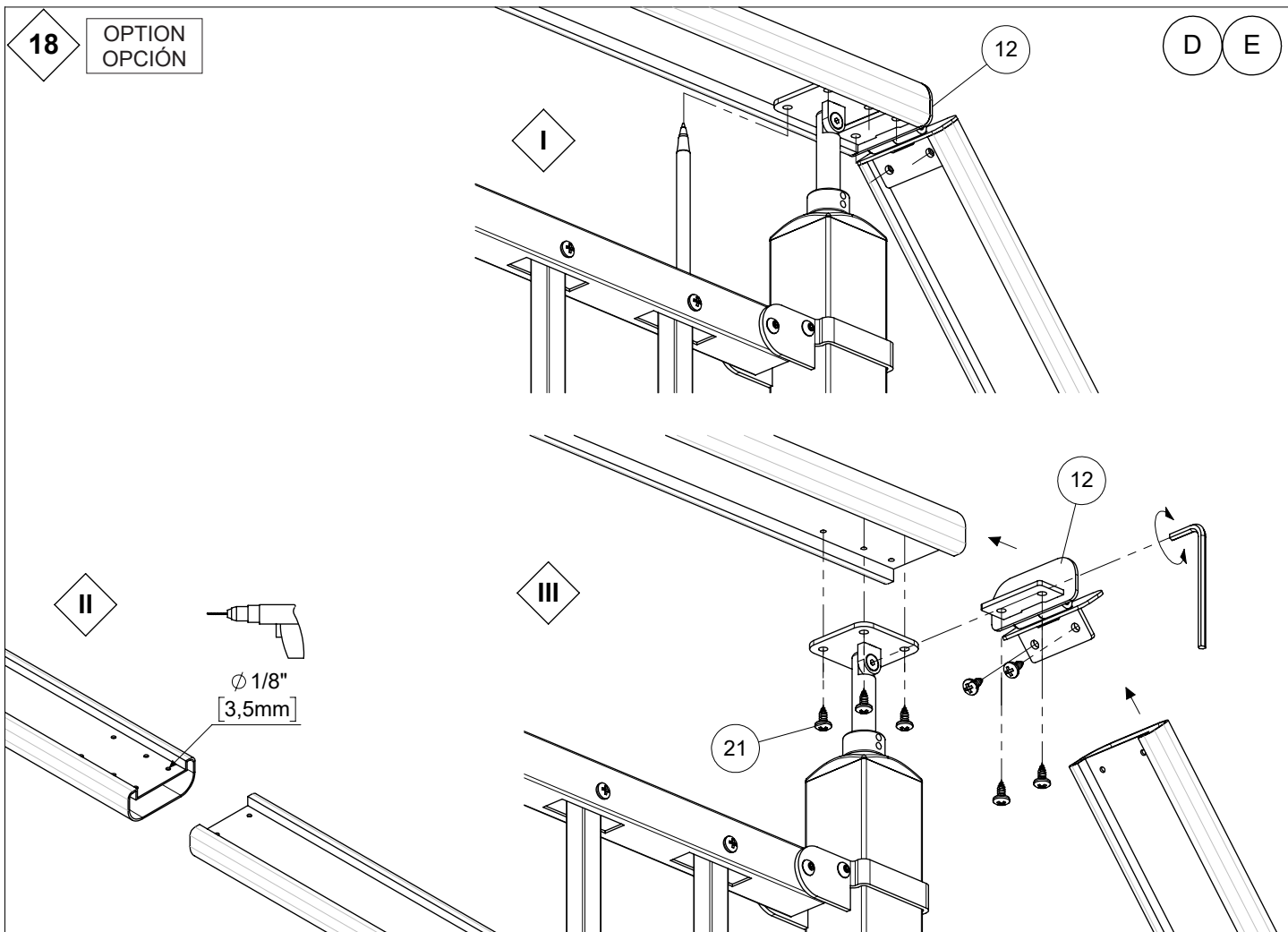
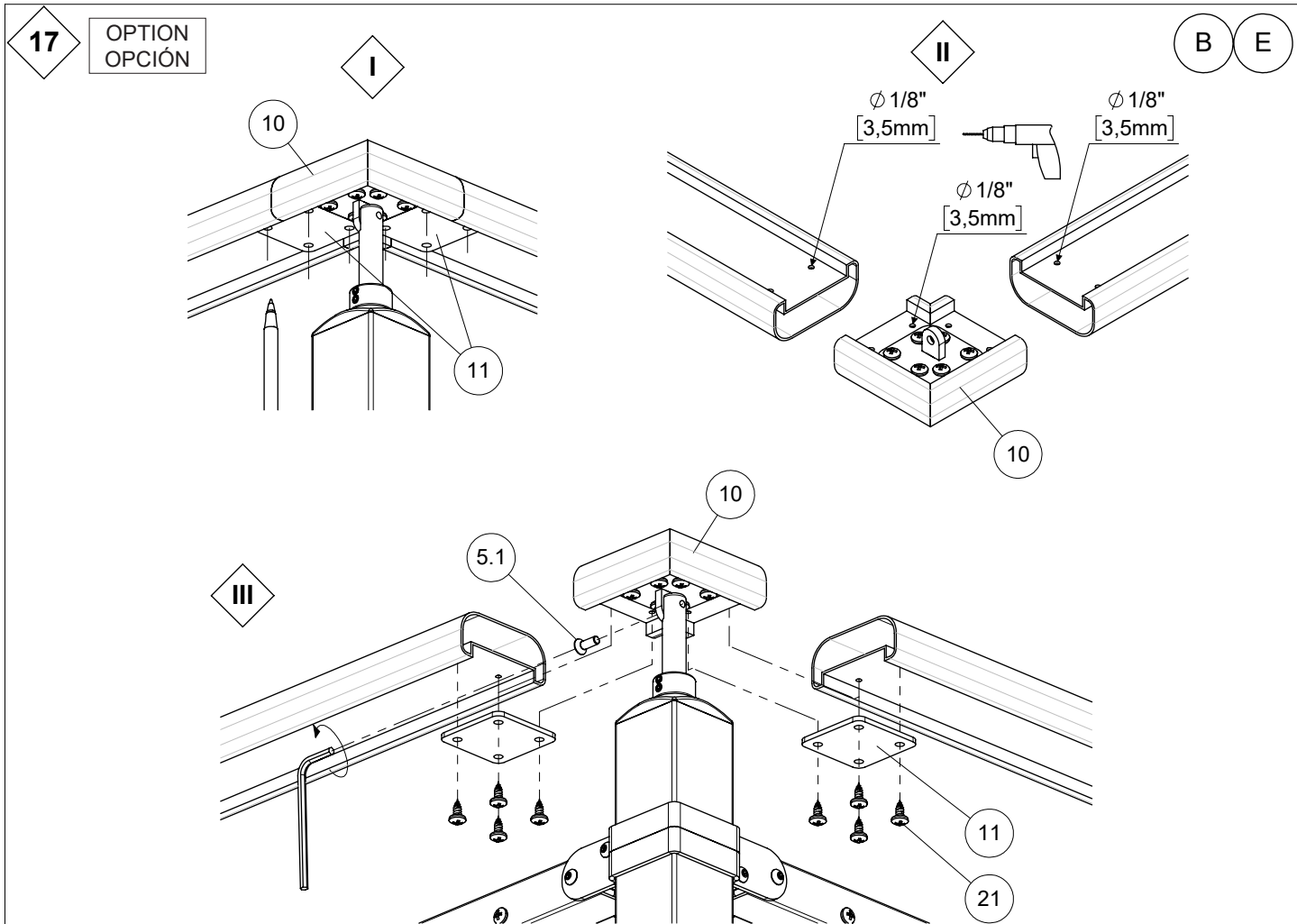


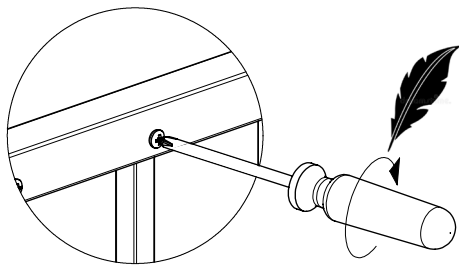
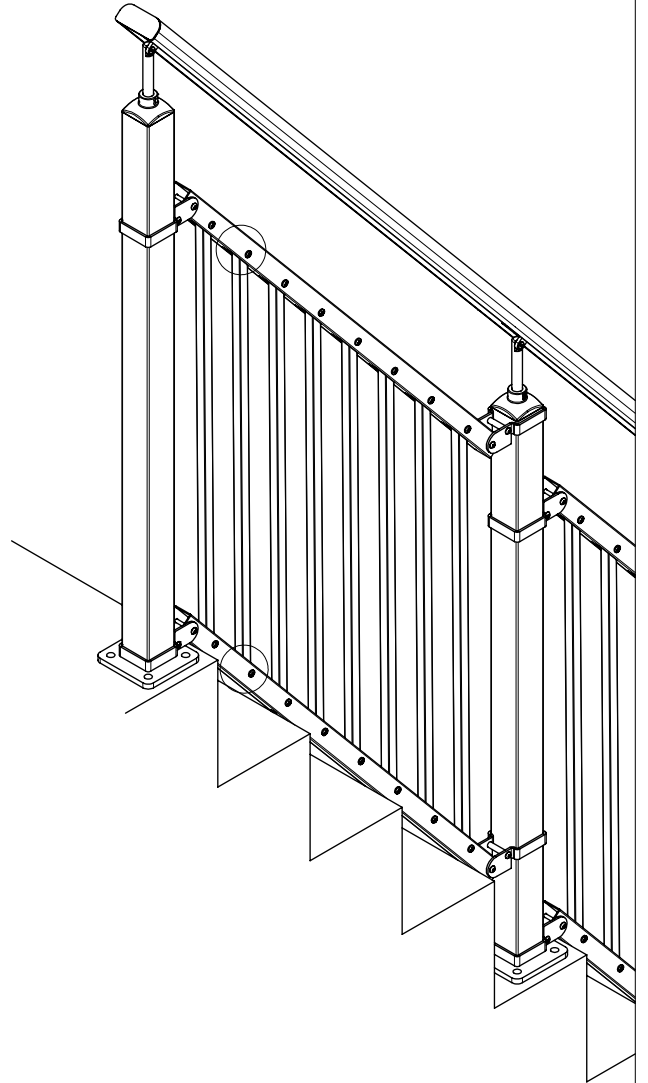
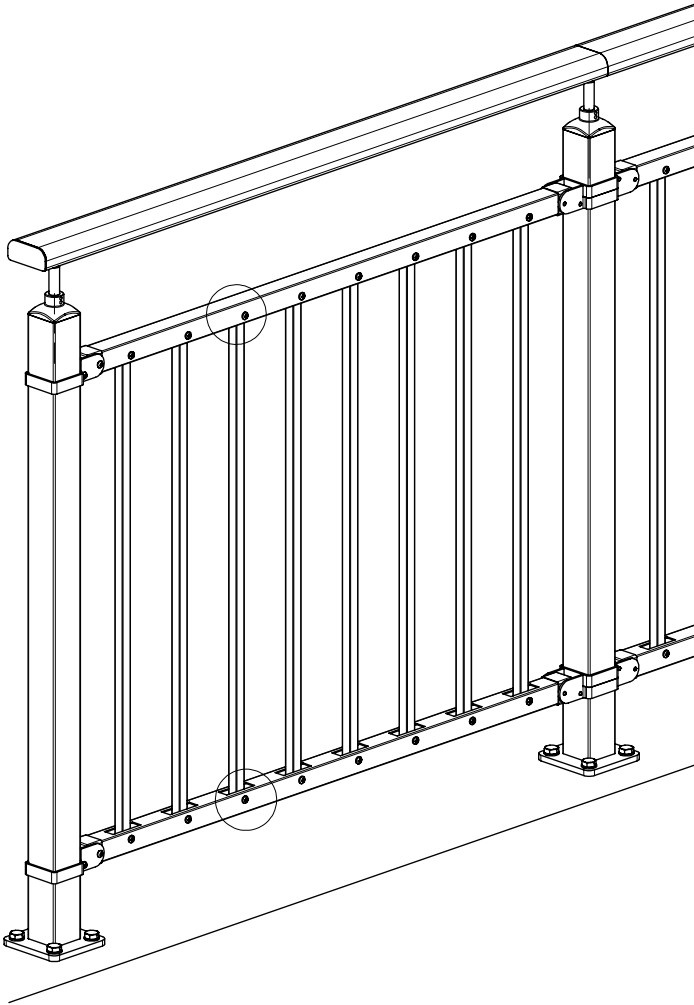
Ø 1/8"
[3,5mm]



III







Tighten by hand to secure
Apretar con la mano para asegurar

