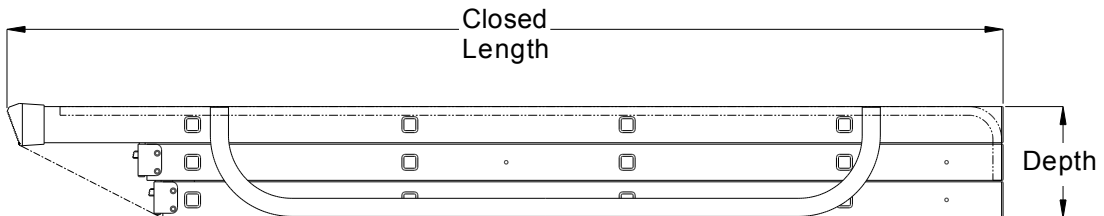
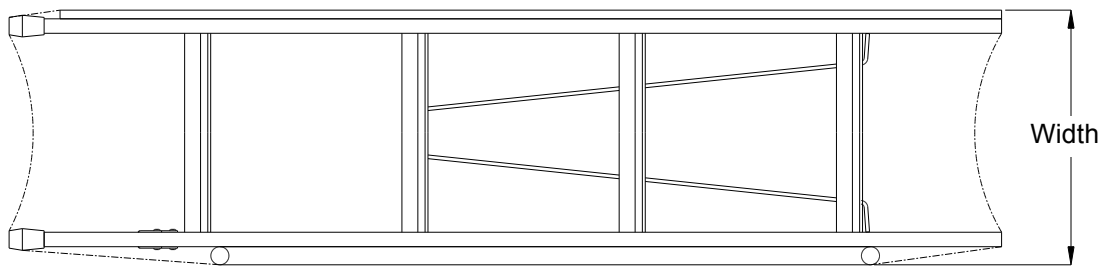


**3-Section Sliding Loft Ladder - Easiway**

**Packed Dimensions**



Packaged Dimensions	Closed Length (mm)	Width (mm)	Depth (mm)	Volume (m <sup>3</sup> )	Weight (kg)
	1375	352	155	0.075	7.0

**Technical Information**

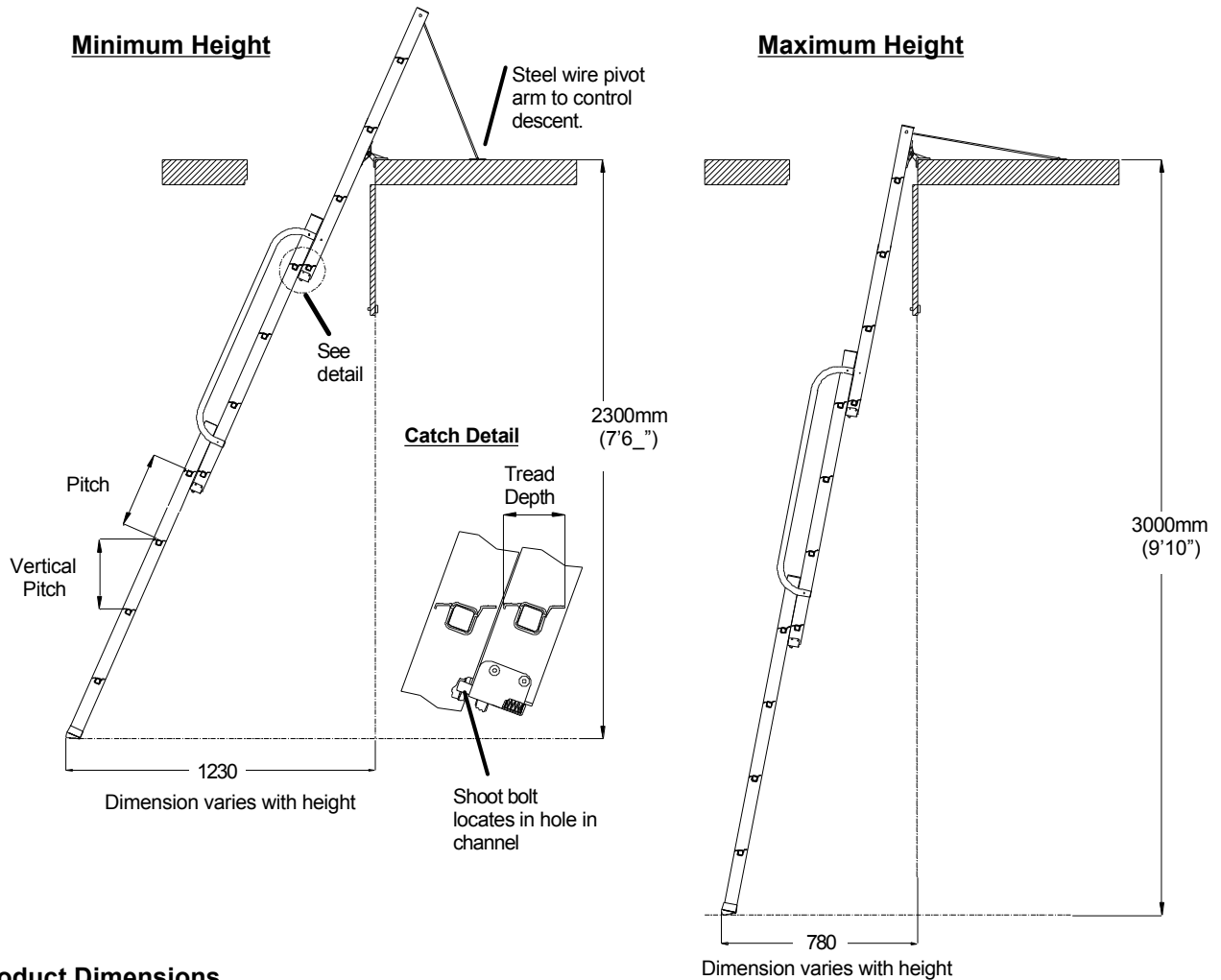
**Materials:** Stiles and Treads - Extruded Aluminium Alloy  
 Handrails - Aluminium Alloy Tube  
 Operating Pole - Aluminium Alloy Tube with plastic lug to operate door catch.  
 Other fittings - Steel, Zinc alloy and plastic

**Duty Rating:** User and items must not exceed the maximum safe working load of 150 kg (23.6 stones)

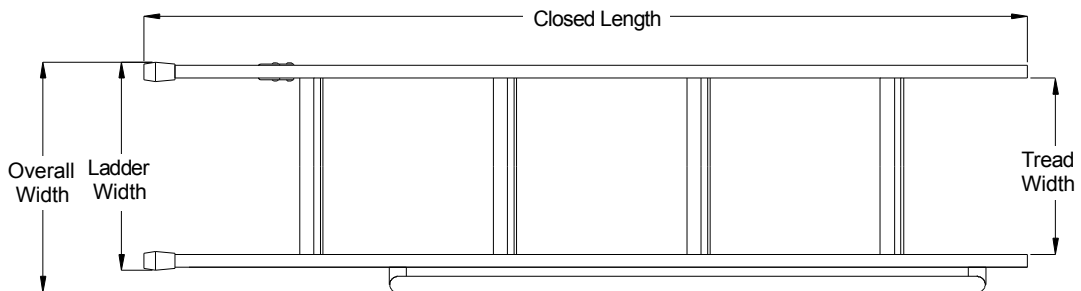
**Classification:** Kitemarked to BS 7553 Class G (General Use) - 'For relatively low frequency and non-onerous conditions of use and storage.'

**3-Section Sliding Loft Ladder - Easiway**

**Floor to Floor Heights**

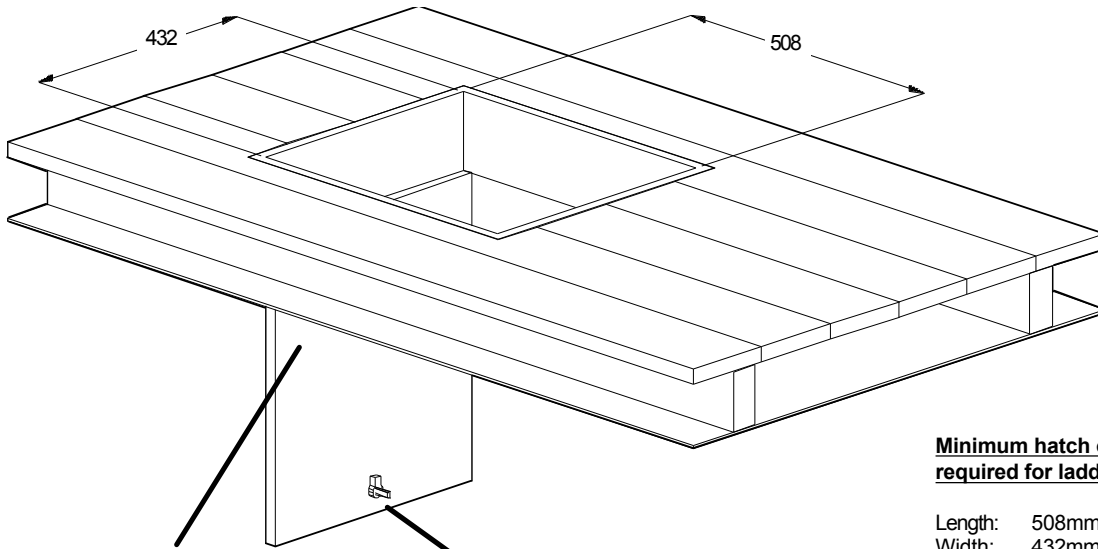


**Product Dimensions**



Treads	Total Number	Number per Section	Width (mm)	Depth (mm)	Pitch (mm)	Vertical Pitch (mm)
		12	4	275	50	300
Assembled Dimensions	Closed Length (mm)	Ladder Width (mm)	Overall Width (mm)	Nominal Working Angle		
	1375	325	360	70°		

**3-Section Sliding Loft Ladder - Easiway**



Trap door must swing down as shown. Hinges are provided.

Door catch is fitted to door. Operating pole is used to release catch.

**Minimum hatch opening required for ladder operation**

Length: 508mm  
Width: 432mm

**Arc of Clearance required**

Operating pole is used to extract ladder from loft.

Locates into hole in side of ladder

