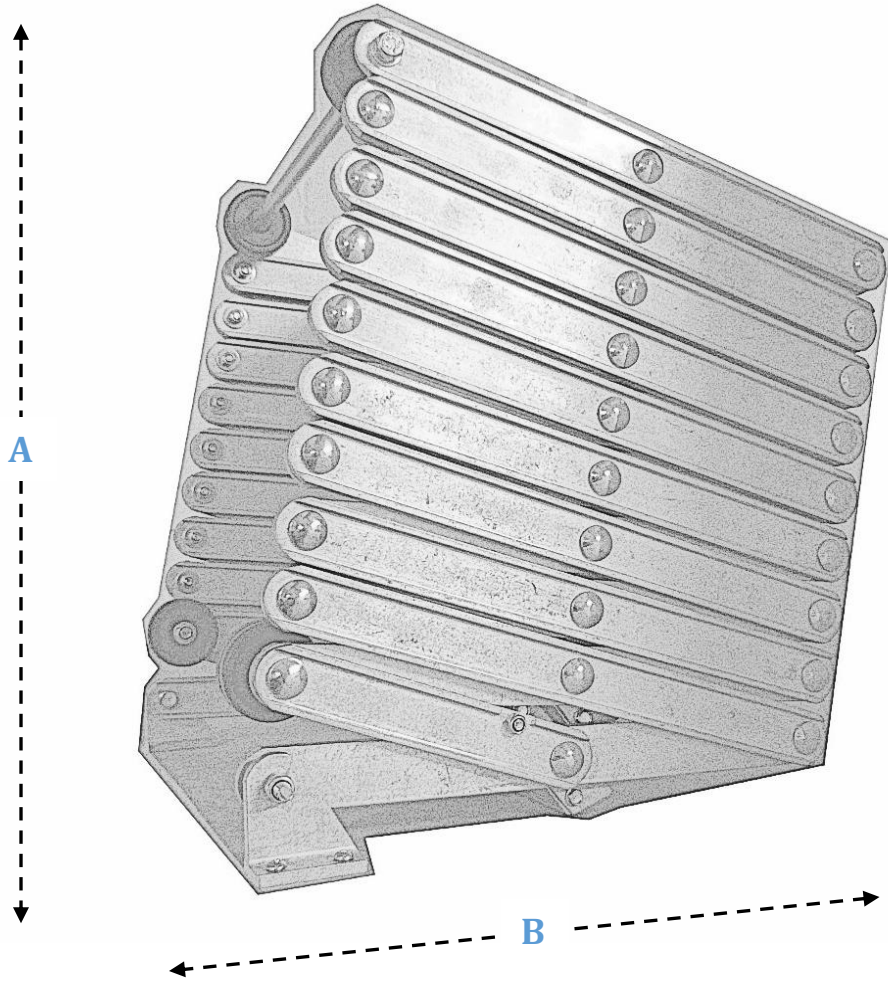


Alufix Vertical Diagram



Model	Floor to Floor Height	No. of Treads	Stored Height (A)	Stored Depth (B)
AFV9	2100 - 2340mm	9	435mm	350mm
AFV10	2341 - 2600mm	10	475mm	350mm
AFV11	2601 - 2880mm	11	515mm	350mm