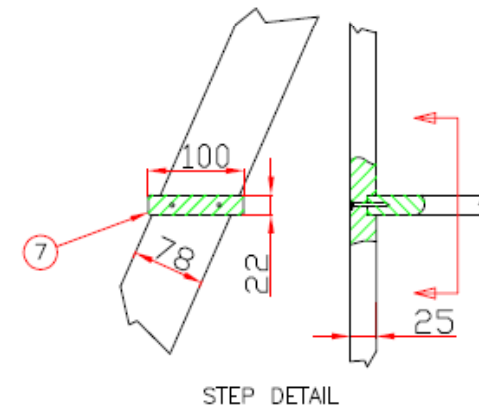
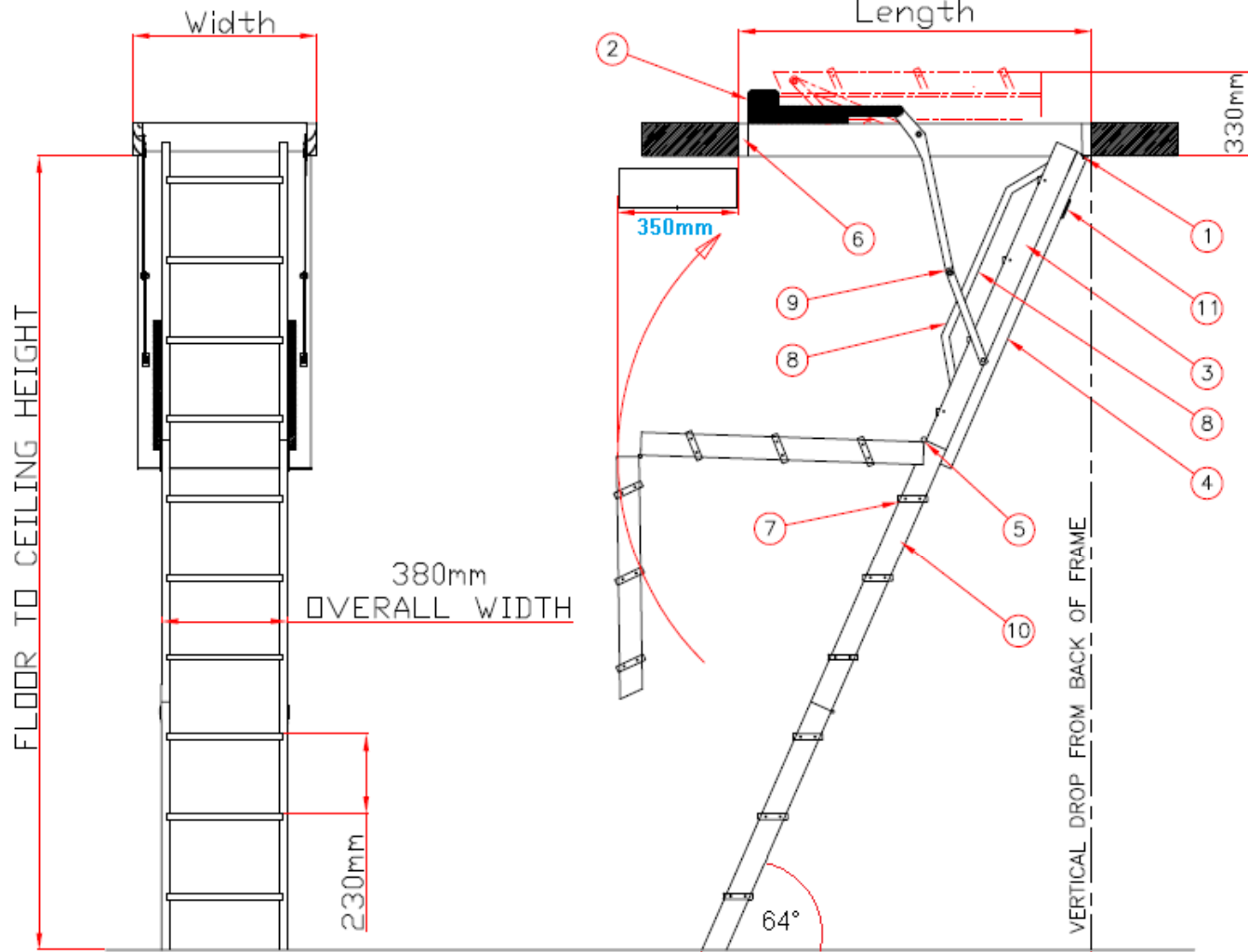


LEGEND

1. TRAP DOOR HINGE
2. MOTOR
3. LADDER TOP SECTION
4. INSULATED TRAP DOOR
5. LADDER HINGE
6. FIXED FRAME, 110mm X 40mm
7. STEP
8. HANDRAIL X2
9. OPERATING ARMS
10. POPLAR HARDWOOD LADDER
11. OVERRIDE SWITCH

POWERED BY LINAK 12V MOTOR
 *Full Battery Backup Optional Extra



WORKING LOAD OF 150KG

CEILING HEIGHT	FRAME WIDTH	FRAME LENGTH
2.6m	65, 70, 75, 80cm	120cm
2.9m	65, 70, 75, 80cm	135cm
3.2m	65, 70, 75, 80cm	150cm

CEILING HEIGHT	LANDING
2.6m	1370mm
2.9m	1570mm
3.2m	1770mm

INDEPENDENTLY TESTED TO BS EN 14975

		Date	Scale
--	--	------	-------

SKYLARK SEMI AUTOMATIC LADDER