

Installation instructions for Junior Stair with wooden backboard.

Adjustment of springs and the touch-down-point

Please read this guide carefully before fixing the stair and follow the instructions.

Caution:

- Each changing of the product or using improperly makes you loose any guaranty of the producer.
- The stair has to be stored dry.
- Use the stair only after assured fixing on the building, adjusted stops and safe standing on the floor.

Installation (with wooden backboard)

- Fix the wooden backboard (12) with suitable screws (10) (min. \varnothing 8x80) and washers (11) R 9 DIN 440 in necessary quantity (**min. 6 pieces!**) safe on the building.
- The anchorage has to be occurred with adequate screws and plastic plugs. These are not included in the scope of delivery; and have to be obtained separately from specialised traders.

Adjustment of the touch-down point after fixing the stair:

- Extend the stair till you reach the desired touch-down point.
- Turn screw (3) in this position till stop and fix it with the counter nut (4).
The front touch-down point is now restricted.

Adjustment of the drop celerity after fixing the stair:

- Release somewhat counter nut (6).
- Stretch the spring by turning in the screw (5) (assure that you do not twist the spring).
Please mind that the cable roll shouldn't twist on the spring (the cable roll and the cable under the cover must be aligned and parallel to operating arm (2)).
Both springs have to be stretched equally.
- Hold the spring and fix counter nut (6) again.

Adjustment of side spring (operating arm):

Caution: operate only by closed stair, and only if necessary, when the stair drops down per dead weight.

- Fill round material \varnothing 10x300 in the drill next the rivet (9) as far as it will go.
- Turn the spring roller (8) to top and displace the rivet (9) one drill hole behind.
- Turn the spring roller (8) slowly back till the rivet (9) lies against to the pedestal.
(**Caution:** side springs (7) are under high tension; extract the round material from the spring roller (8) only when the rivet (9) stands on stop.)

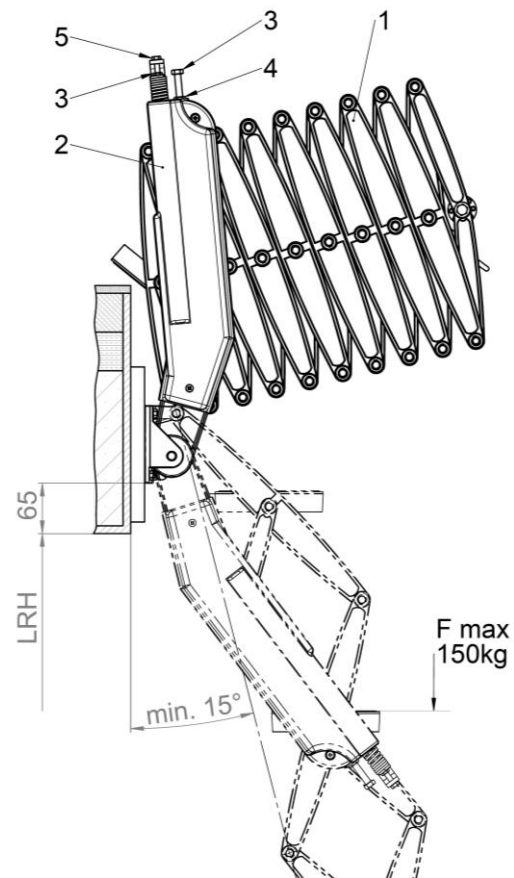
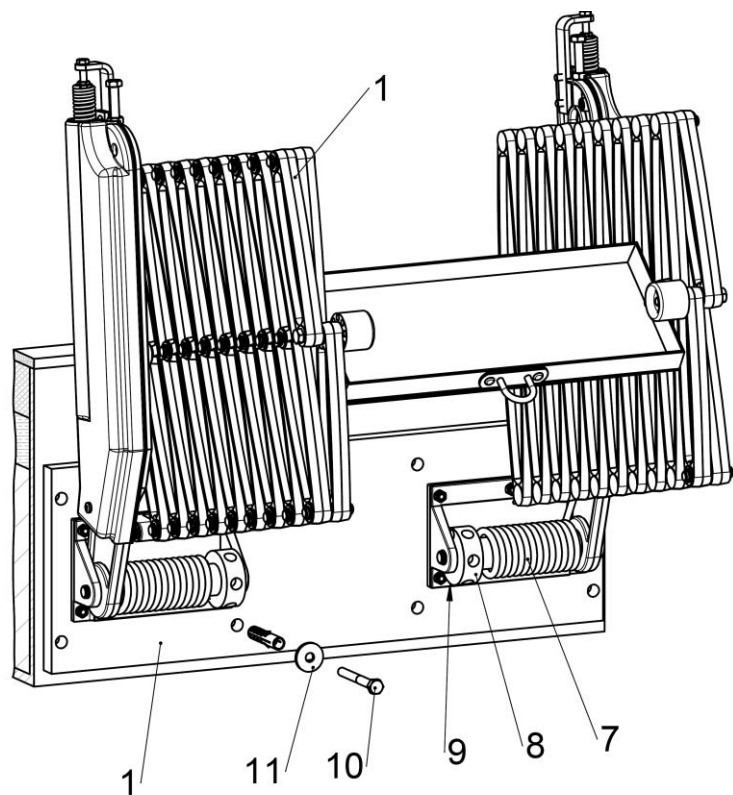
Maintenance:

- Please prove in regular periods of time if screws, nuts and safety parts are attached securely.
- Please test all turning parts for abrasion. Oil all turning parts in regular time spreads.

Security advice:

- Do not press the operating arms (2) from the installed stair (1) on opening till stop of the pedestals (**Danger! Stairway can be damaged!**). Smallest angle of stairway to the plumb line $\geq 15^\circ$
- Do not use the stairway without a guard rail.

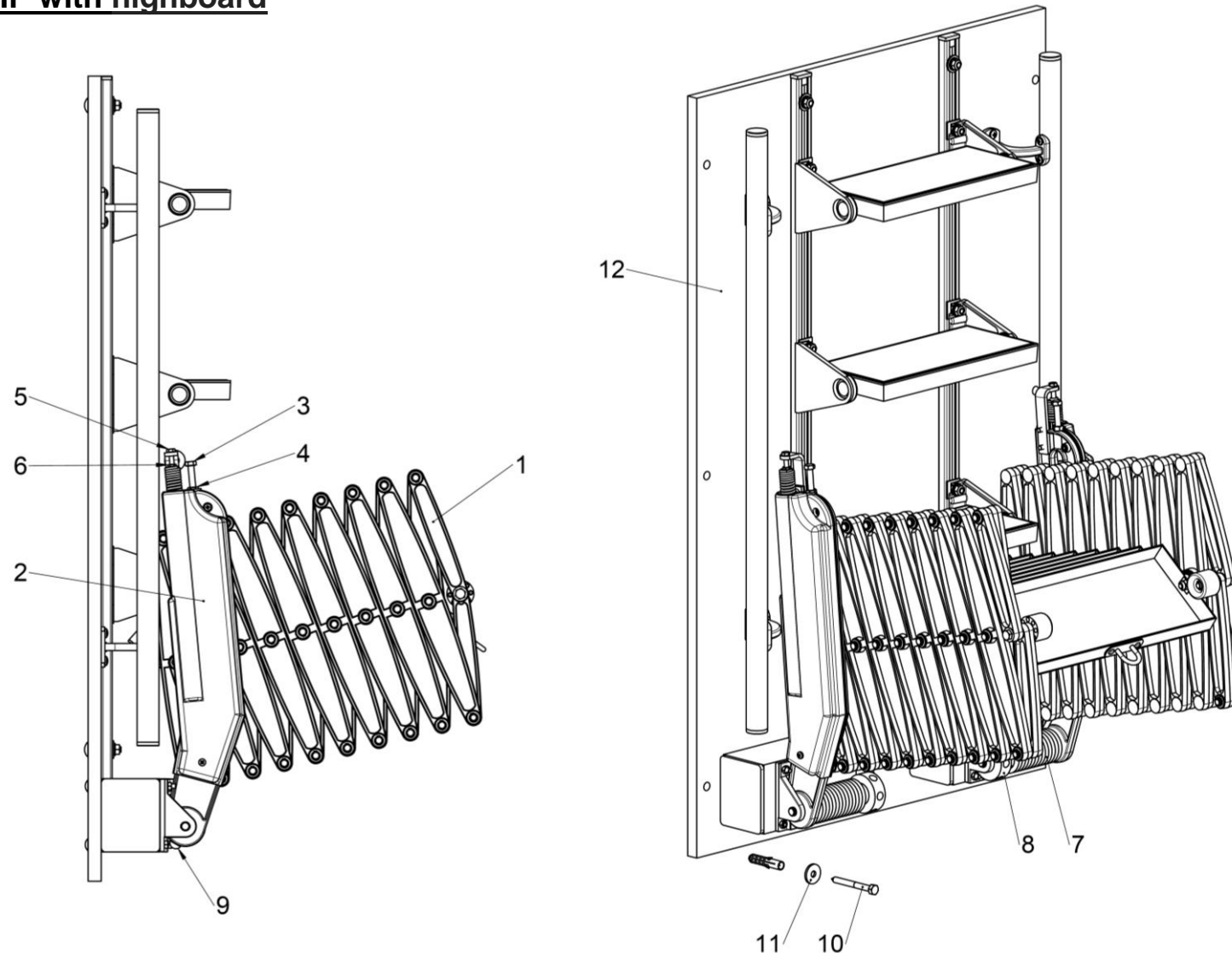
ZIP with backboard



LRH (floor to ceiling height) cm	Number of treads pieces
220-250	9
250-279	10
279-309	11

1. Scissor stair
2. Operating arm
3. Screw M 8
4. Nut M 8
5. Screw M 6
6. Nut M 6
7. Side spring
8. Spring roller
9. Rivet \varnothing 10mm
10. Fixing screw
11. Washer
12. Backboard

ZIP with highboard



LRH (floor to ceiling height) cm	Number of treads pieces
220-250	9
250-279	10
279-309	11

1. Scissor stair
2. Operating arm
3. Screw M 8
4. Nut M 8
5. Screw M 6
6. Nut M 6
7. Side spring
8. Spring roller
9. Rivet \varnothing 10mm
10. Fixing screw
11. Washer
12. Highboard

Adjustment of treads

- A. Lower Zip ladder into position for use.
- B. Undo nuts (2) on the underside of each tread until you can turn all treads. Do not use the ladder.
- C. Bring treads into horizontal position and tighten the nuts (2).

- | | |
|------------------|---------------------------|
| 1. Tread | |
| 2. Nut | M8 DIN EN ISO 4032 |
| 3. Inner scissor | F101-51128 |
| 4. Outer scissor | F101-51129 |

