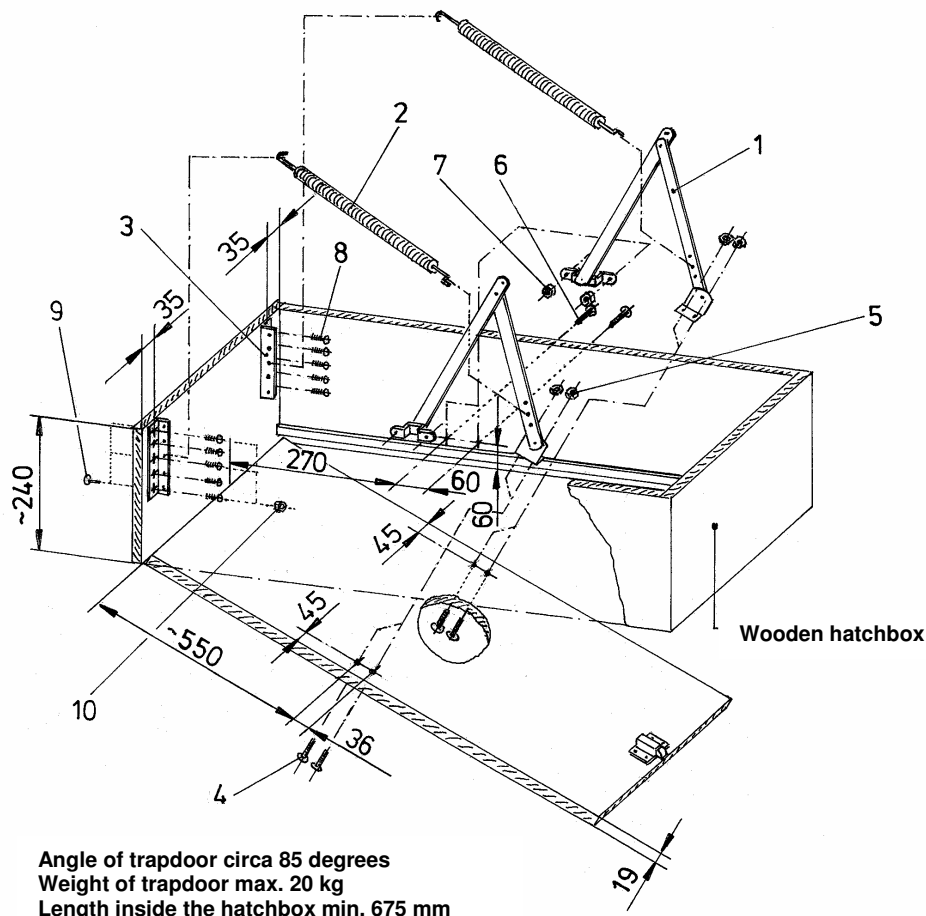


Adjustment of springs by already mounted wooden trapdoor



Pos.	Stck	Bezeichnung	Abmessung/DIN	Artikelnummer
1	2x	Demarcation lever arm		F104-21839
2	2x	Spring		M105-20919
3	2x	Mounting of springs		T113-50332
4	4x	Screw	M6x30 DIN 605	E801-10045
5	4x	Nut	M6 DIN 934	E803-10367
6	4x	Screw	M6x30 DIN 603	E801-10014
7	4x	Nut	M6 DIN 934	E803-10367
8	10x	Screw for plywood	ø6x25	E801-10262
Alternative				
9	6x	Screw.	M6x30 DIN 603	E801-10014
10	6x	Nut	M6 DIN 934	E803-10367