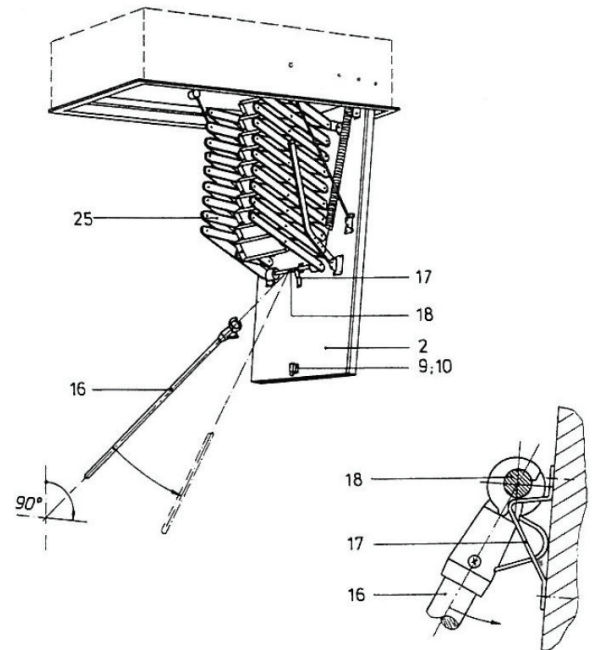


Operating instruction for Mini Concertina

Please read this guide carefully before operating and follow the instructions given.

1. Opening the stair

- 1.1 Hook operating pile (16) with hook into ringscrew (9) and release bar (10) by pulling frontward.
- 1.2 Open cover (2) with operating pile slowly and push to endposition (5;13) by hand.
- 1.3 Release operating pile (16) and hook into crossarm (18) close to bow (17) and turn 90° (see drawing). Lever up concertina (25) over bow (17) by swinging the operating pile (16) towards cover (2).
- 1.4 Release operating pile (16) and pull concertina (25) down with both hands until it rests stiff on the ground.
- 1.5 You can walk up now.
- 1.6 When walking up grip handrail (26) or scissors.
- 1.7 We recommend to walk up forwards and walk down backwards.



2. Closing the stair

- 2.1 Push together concertina (25) by hand until it lies on the cover (2) and crossarm (18) rests behind bow (17). If floor to ceiling is too high do use operating pile.
- 2.2 Close cover (2) first by hand and with the operating pile hooked into ringscrew (9) until bar (10) snaps in.



Caution: When swinging the cover out of it's endposition hold it with both hands or the operating pile. (power of spring hardware strongest)

- 2.3 Remove operating pile (16)

Maintenance: preserve function for a long time

- Annually, when using it very often in a shorter period of time, make sure that all screws, nuts and fixing parts are tight.
- Oil or grease all moving parts regularly and check if in proper condition.

Hints for user:

- Do not use concertina without handrail and 3-sided guardrail
- Maximum loading of concertina must not exceed 150 kg.
- When operating the stair take care not to jam .

