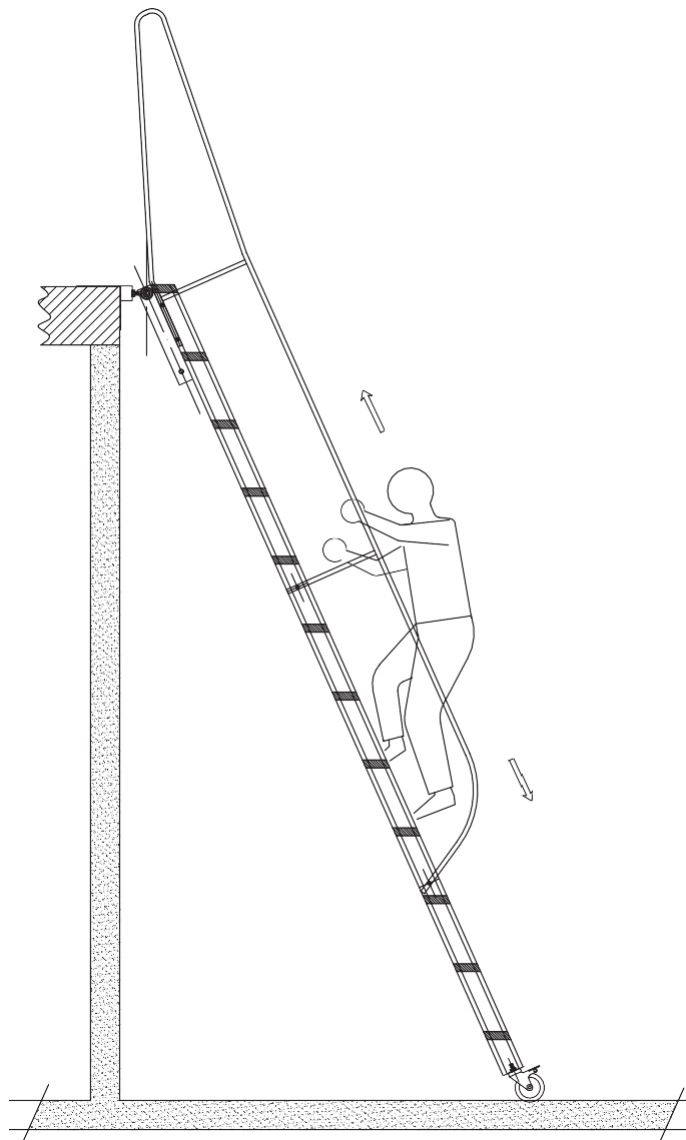


fantozzi scale s.r.l.

MADE IN ITALY

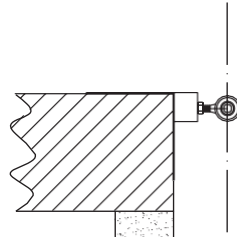
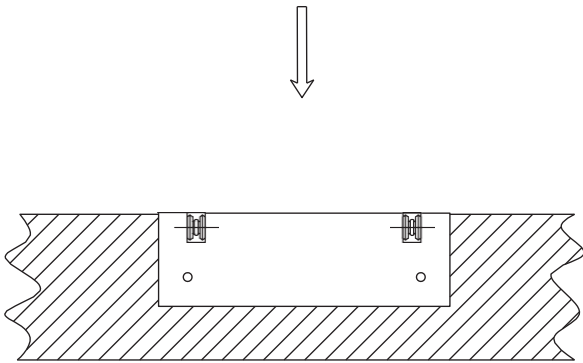
ASSEMBLY INSTRUCTIONS



NR. 1

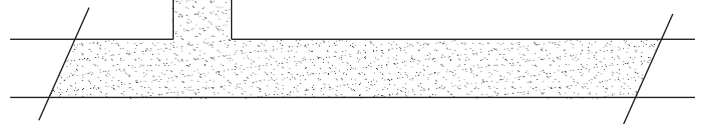
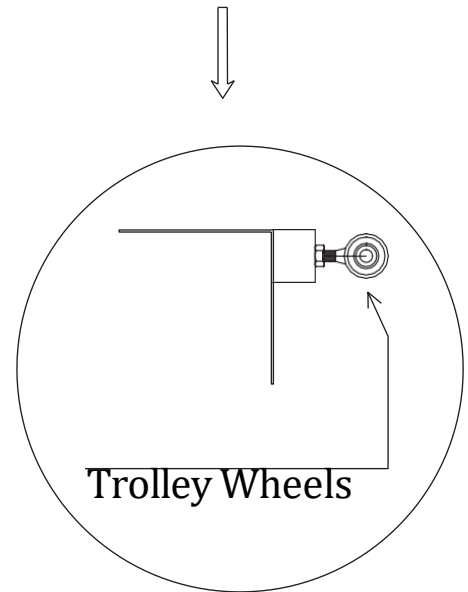
Position the fixing plate over the floors edge.

Secure the plate using bolts (not supplied)
It will be your responsibility to find a suitable bolt to ensure the plate is securely fixed.



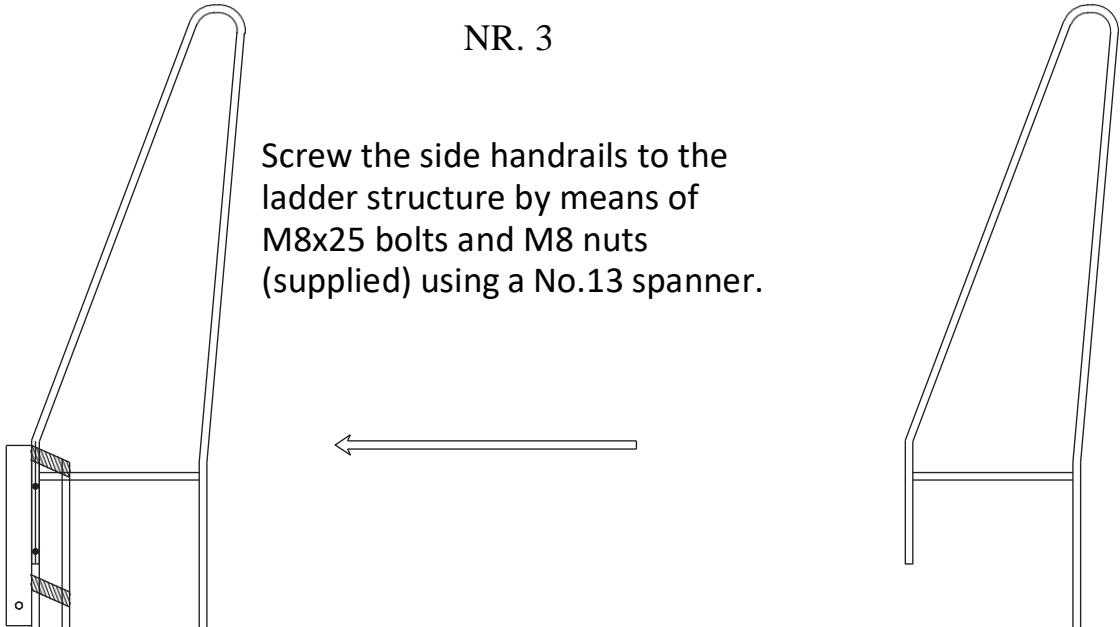
NR. 2

Secure the 2 no. trolley wheels to the blocks on the fixing plate using the treaded rod and nut using a No.19 spanner.



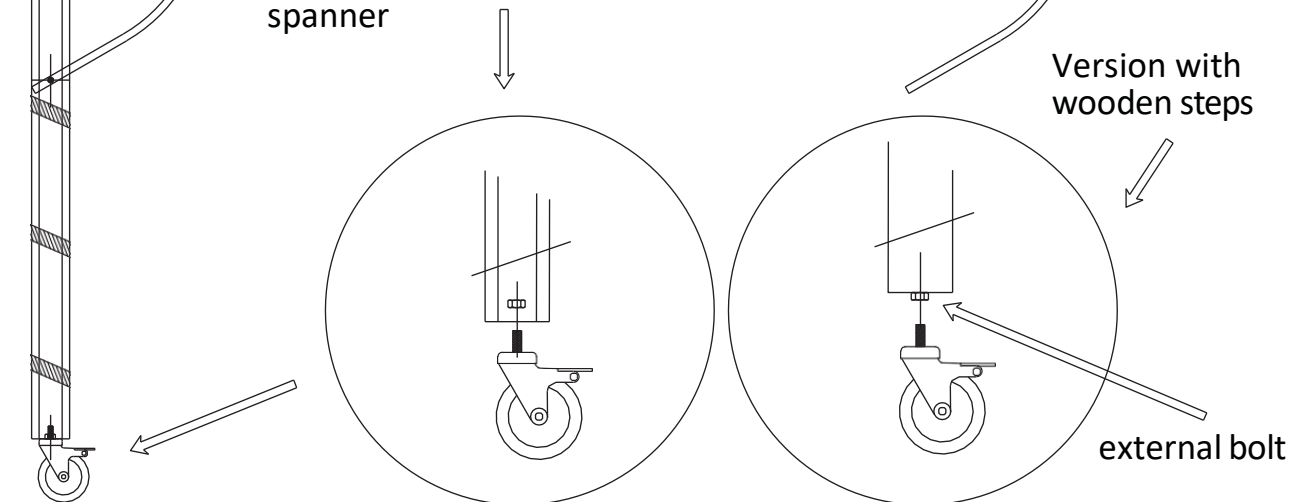
NR. 3

Screw the side handrails to the ladder structure by means of M8x25 bolts and M8 nuts (supplied) using a No.13 spanner.



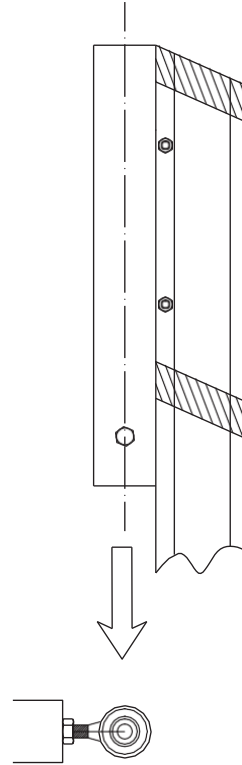
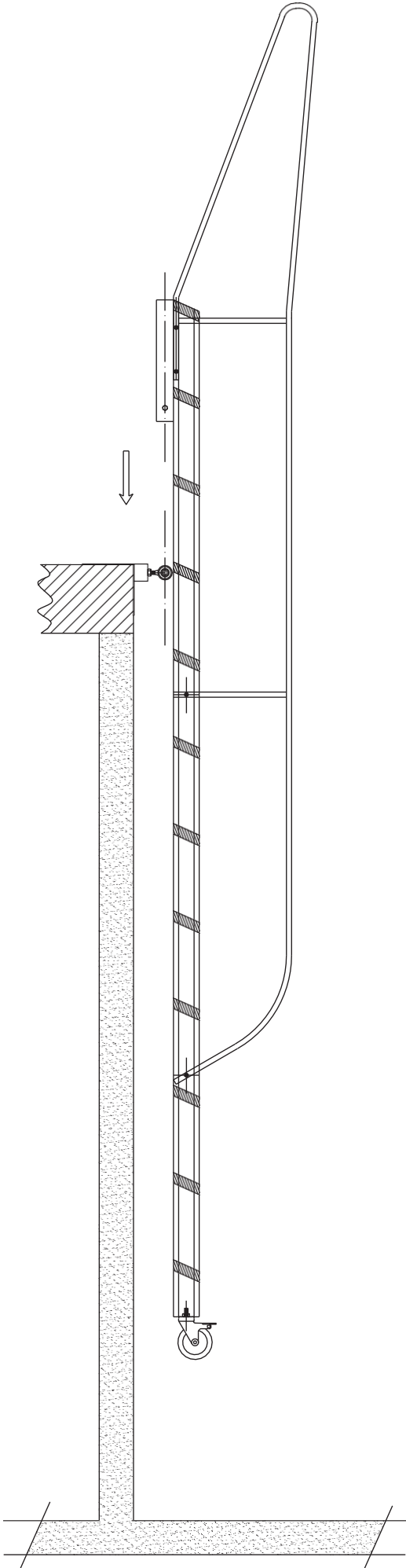
NR. 4

Screw the 2 no. wheels (with brake) at the bottom of the ladder
Secure in place with an M12 nut onto the treaded rod using a No.19 spanner

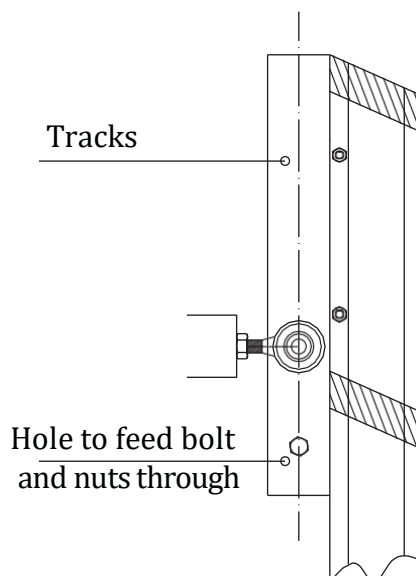


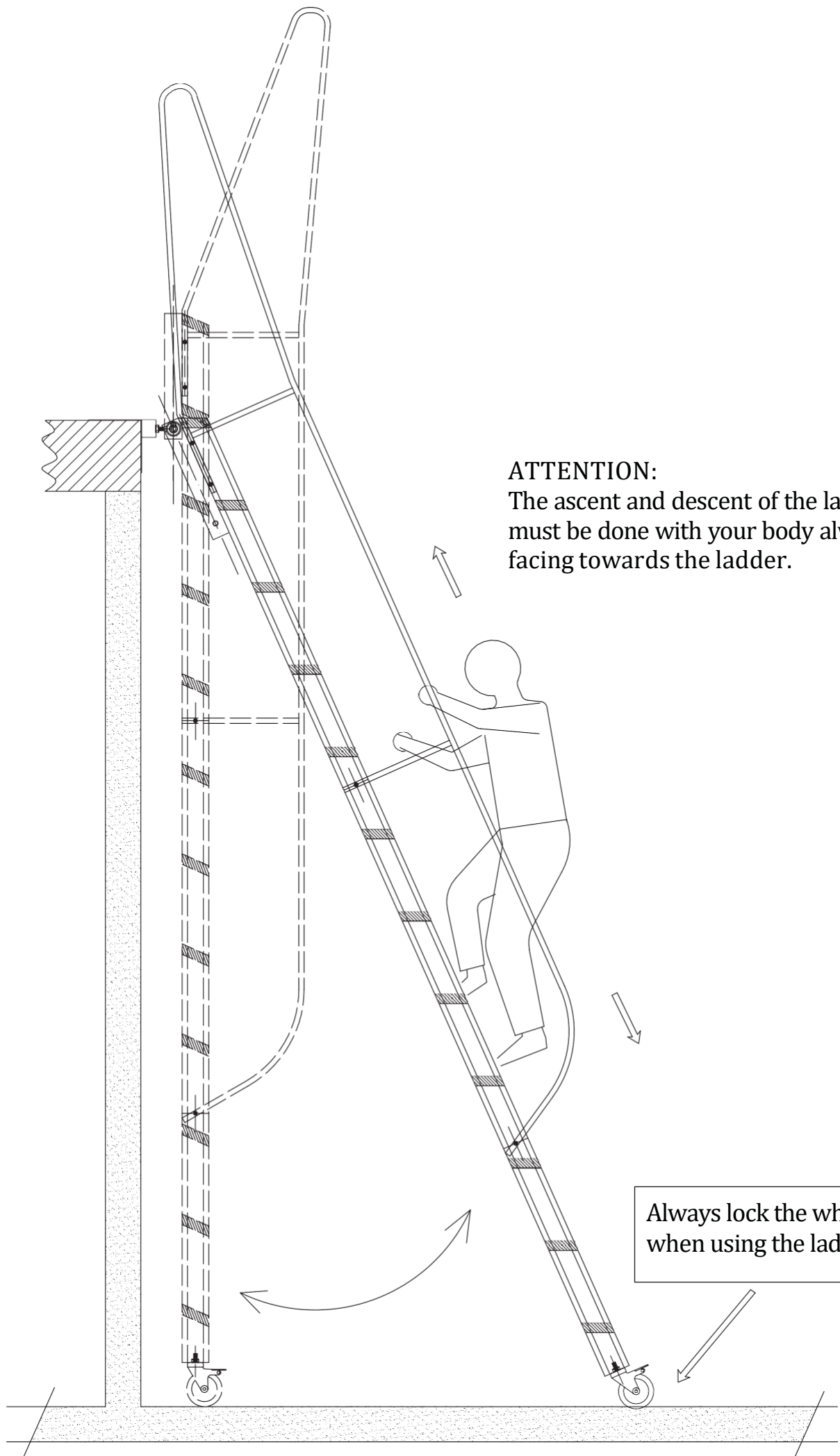
NR. 5

Position and slide the ladder onto the track over the trolley wheels.



Insert the M10 x 55 bolts (supplied) through the hole on the track and secure with M10 nut to act as a stop.





ATTENTION:
The ascent and descent of the ladder must be done with your body always facing towards the ladder.

Always lock the wheels when using the ladder.