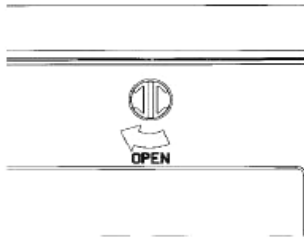


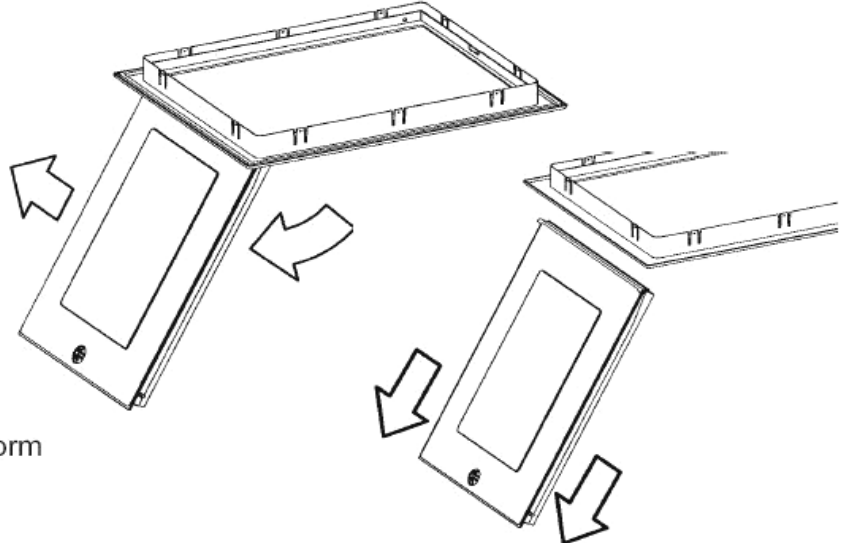
### Drop Down Loft Access Door Fitting Instructions

P5370 & P5370 L

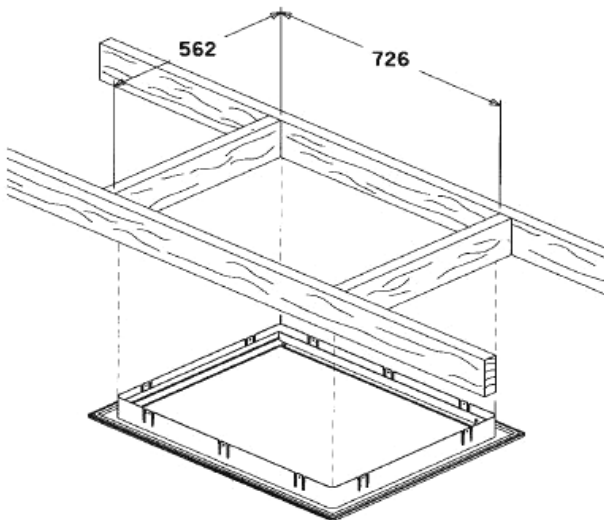
1. Firstly remove door from the frame. Turn catch clockwise.



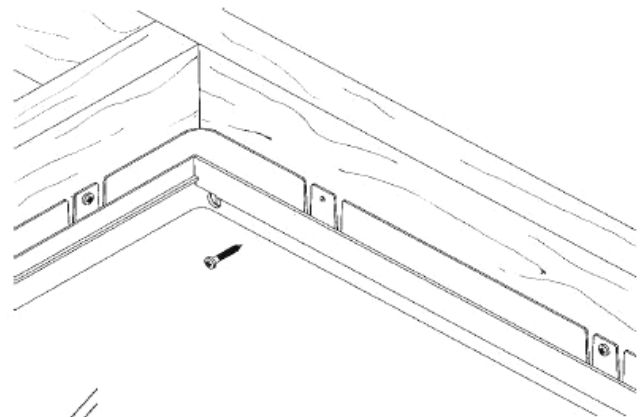
2. Swing the door open as far as it will go and then slide side ways slightly to disengage one side of the hinge then remove the door



3. Trim out a suitable opening 562 x 726mm. Locate frame into position pushing tightly against the ceiling to form seal.



4. Screw through the fixing points in ten places as shown. Note Suitable packing pieces may be required if the opening is over size, to prevent the distortion of the frame.



5. Finally replace the door into the frame ensuring both hinge lugs are correctly located. Secure door by turning catch anti-clockwise. This can be done using a pole with the supplied pole end.

