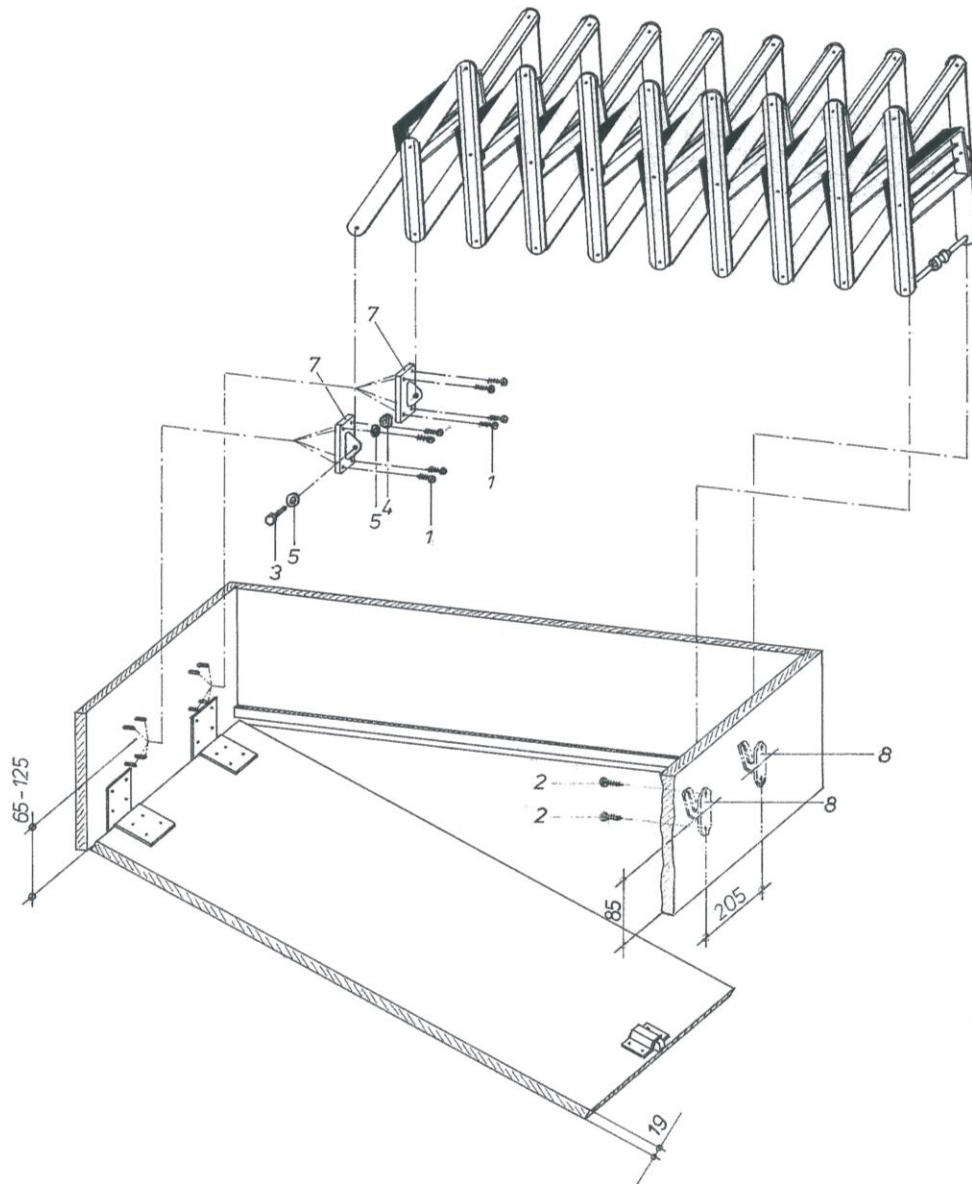


**FIXING INSTRUCTIONS
PICCOLO CONCERTINA INTO AN EXISTING OPENING**

			Art. Nr.:
1.	Pan Head screw	Ø 5 x 25	10254
2.	Pan Head screw	Ø 5 x 20	10253
3.	Hexagon bolt	M 8	51166
4.	self locking Nut	M 8 DIN 980	10755
5.	Washer	A 10 DIN 137	10429
6.			
7.	Bearing part fixing plate		51073
8.	Plastic hooks		50459



Hatchbox not included

The maximum weight on the stair must not exceed 150 kgs.