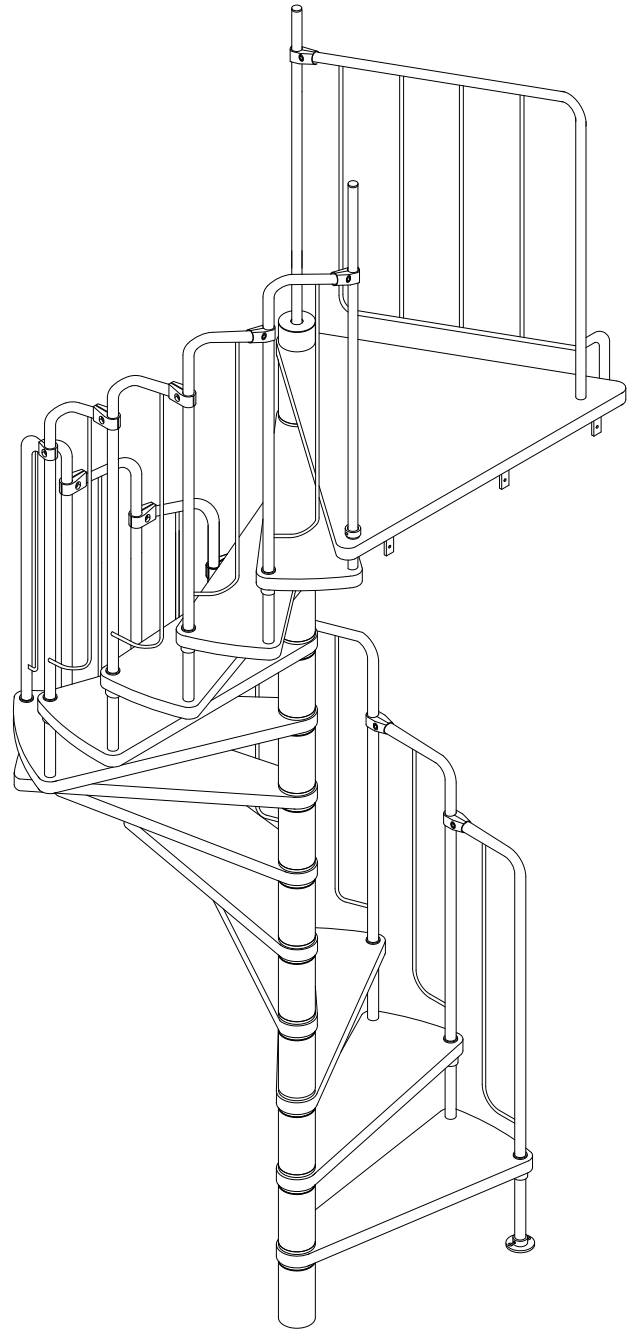
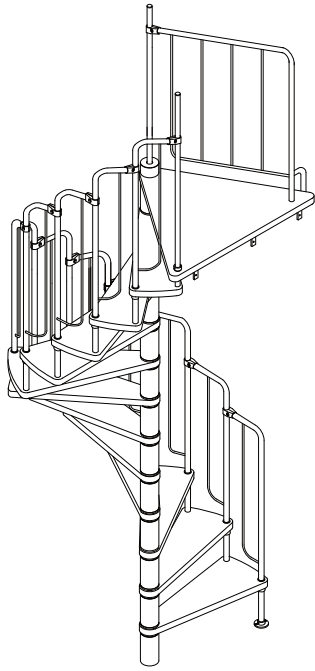


BARCELONA

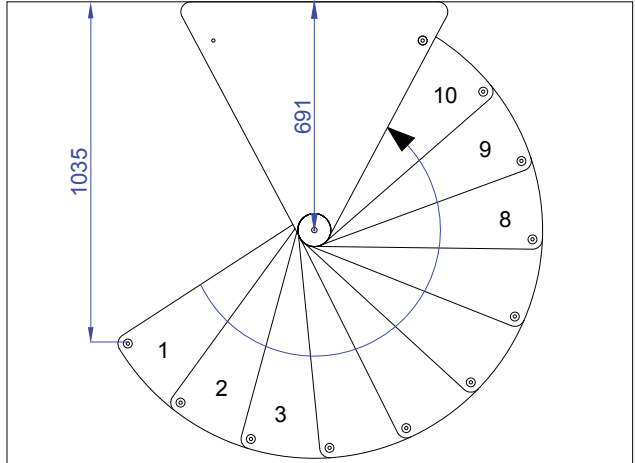
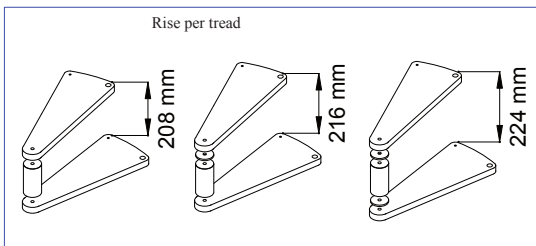
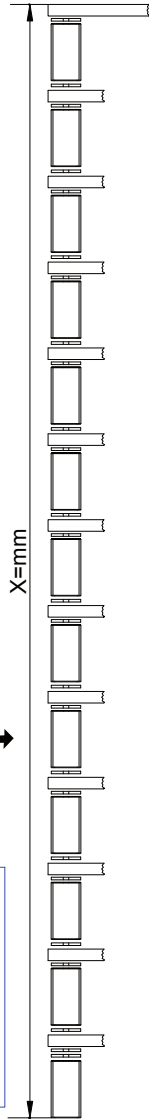


Barcelona

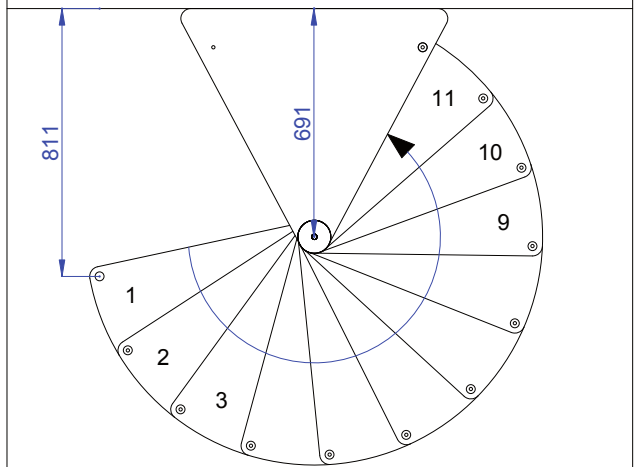


Floor to floor height maximum in mm.

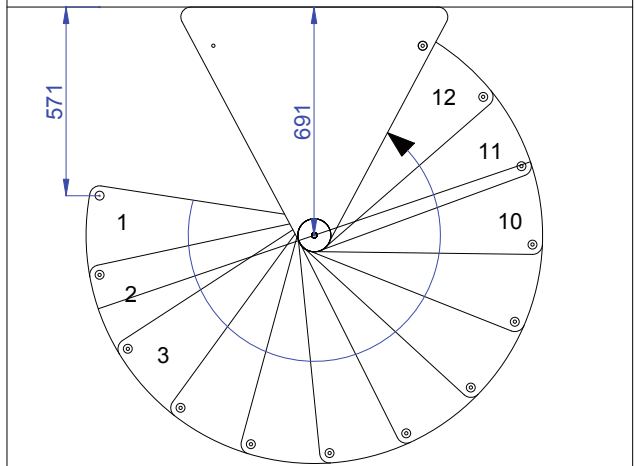
(p)	10	11	12
0	2288	2496	2704
1	2296	2504	2712
2	2304	2512	2720
3	2312	2520	2728
4	2320	2528	2736
5	2328	2536	2744
6	2336	2544	2752
7	2344	2552	2760
8	2352	2560	2768
9	2360	2568	2776
10	2368	2576	2784
11	2376	2584	2792
12	2384	2592	2800
13	2392	2600	2808
14	2400	2608	2816
15	2408	2616	2824
16	2416	2624	2832
17	2424	2632	2840
18	2432	2640	2848
19	2440	2648	2856
20	2448	2656	2864
21	2456	2664	2872
22	2464	2672	2880
23	2472	2680	2888
24	2480	2688	2896
25	2488	2696	2904
26	2496	2704	2912



Starting points for 10 treads + landing

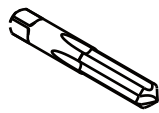
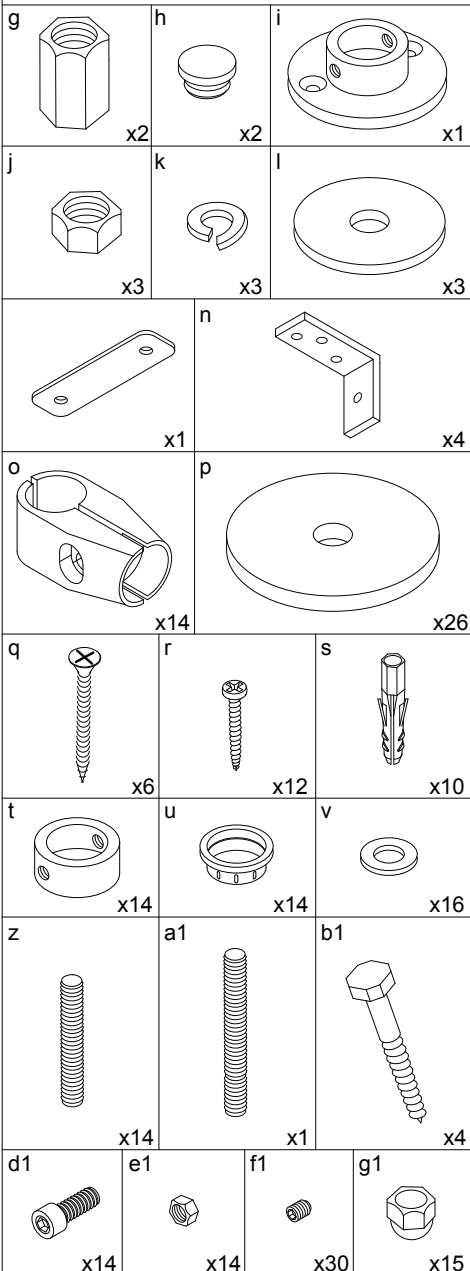
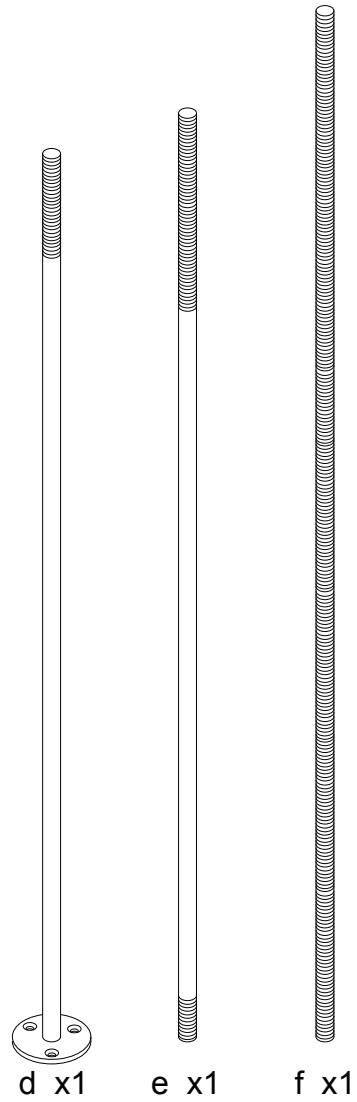
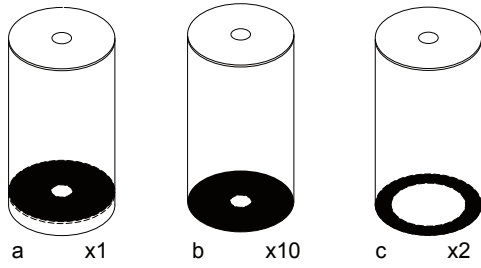


Starting points for 11 treads + landing

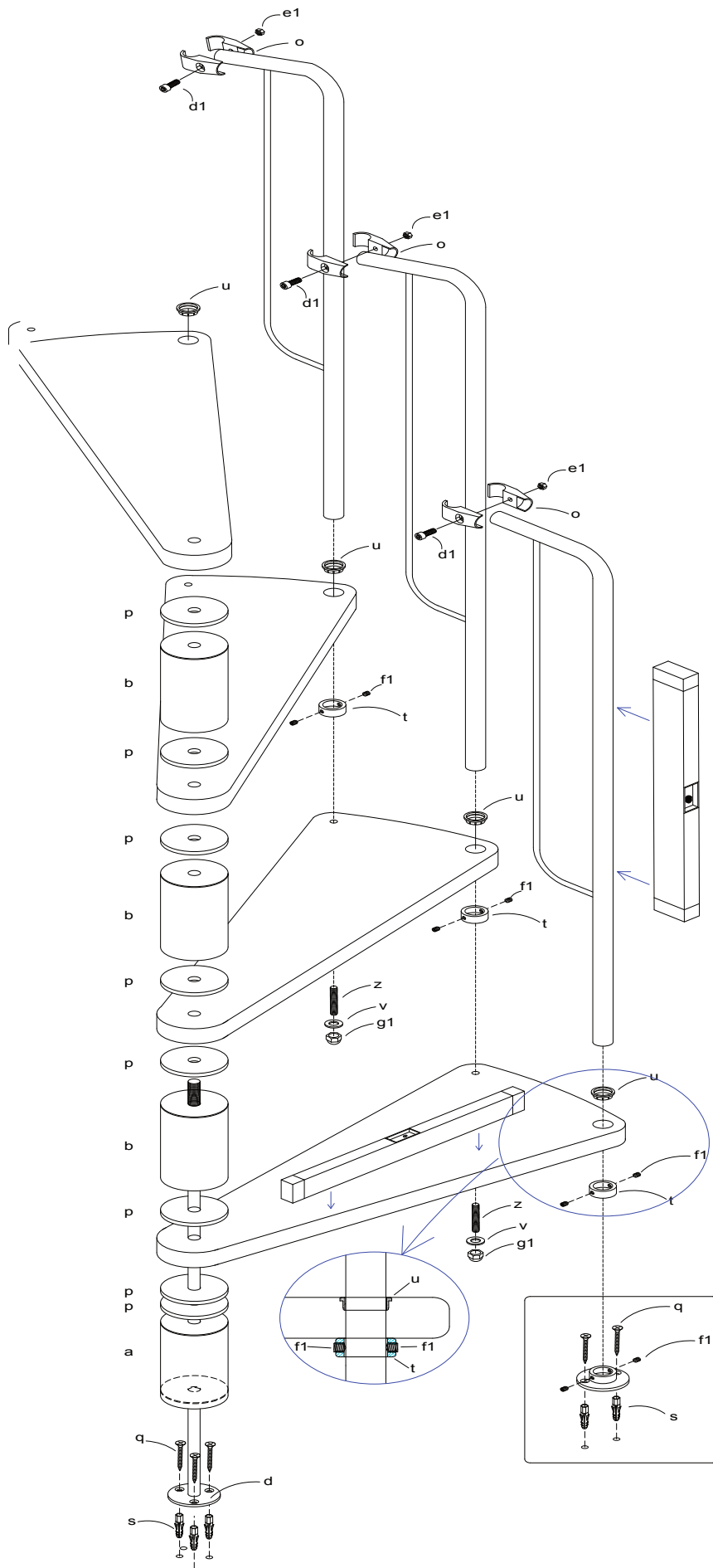


Starting points for 12 treads + landing

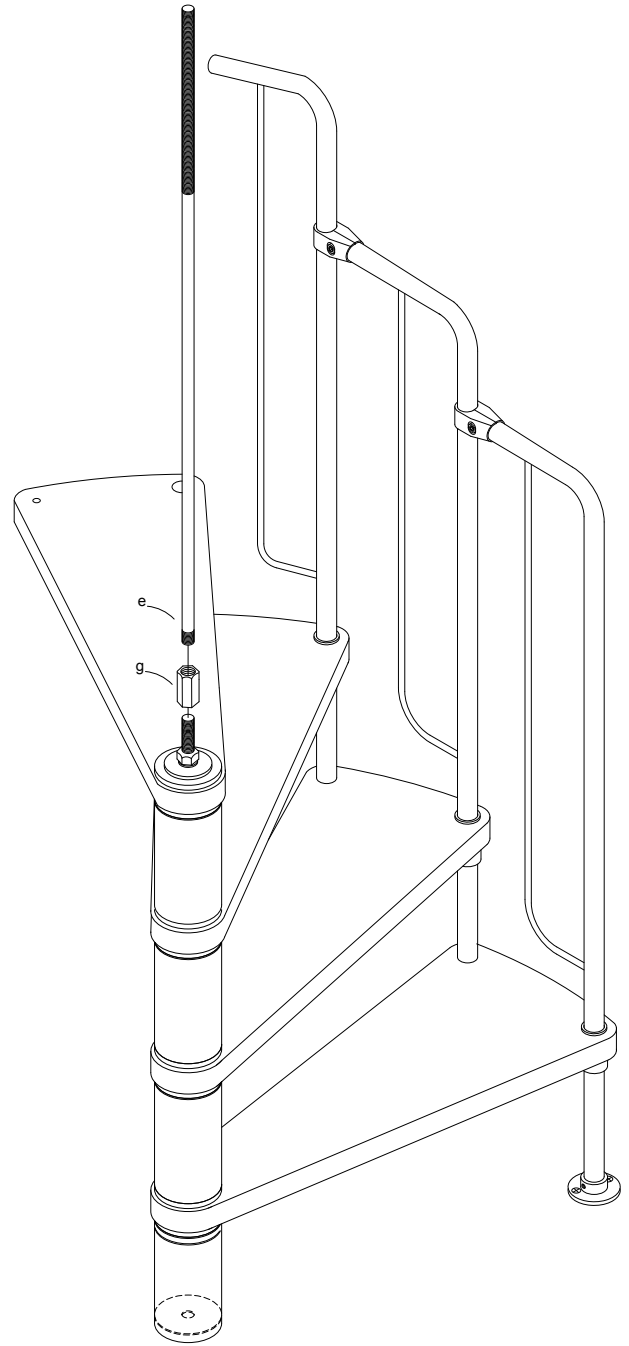
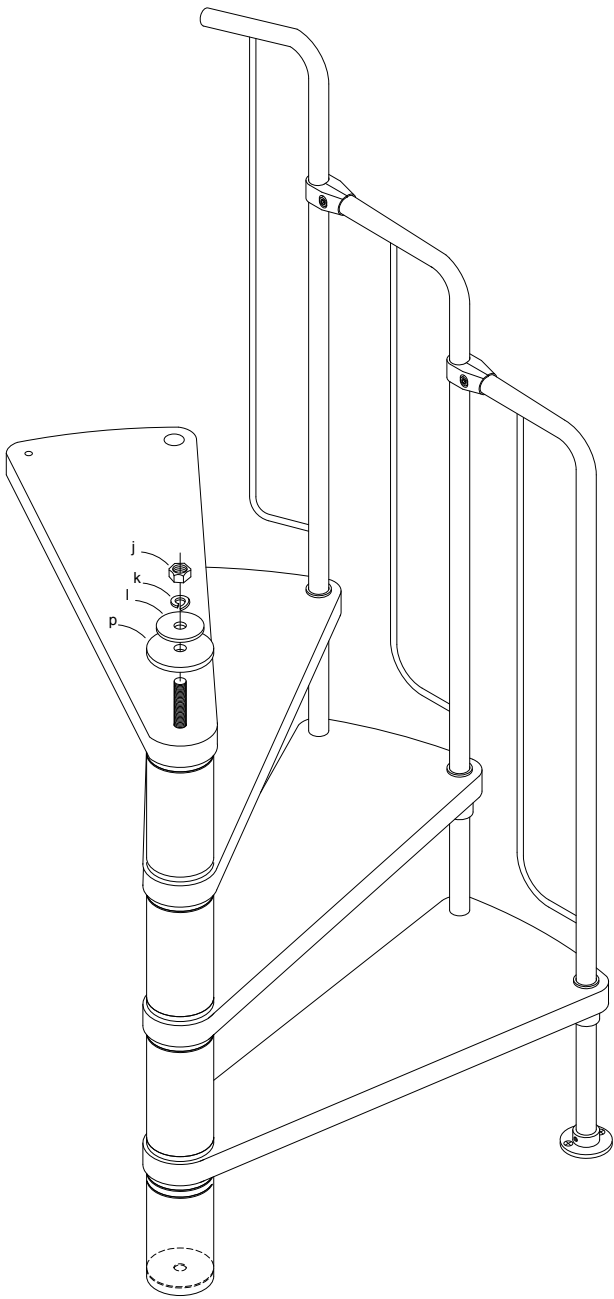
R1 99675

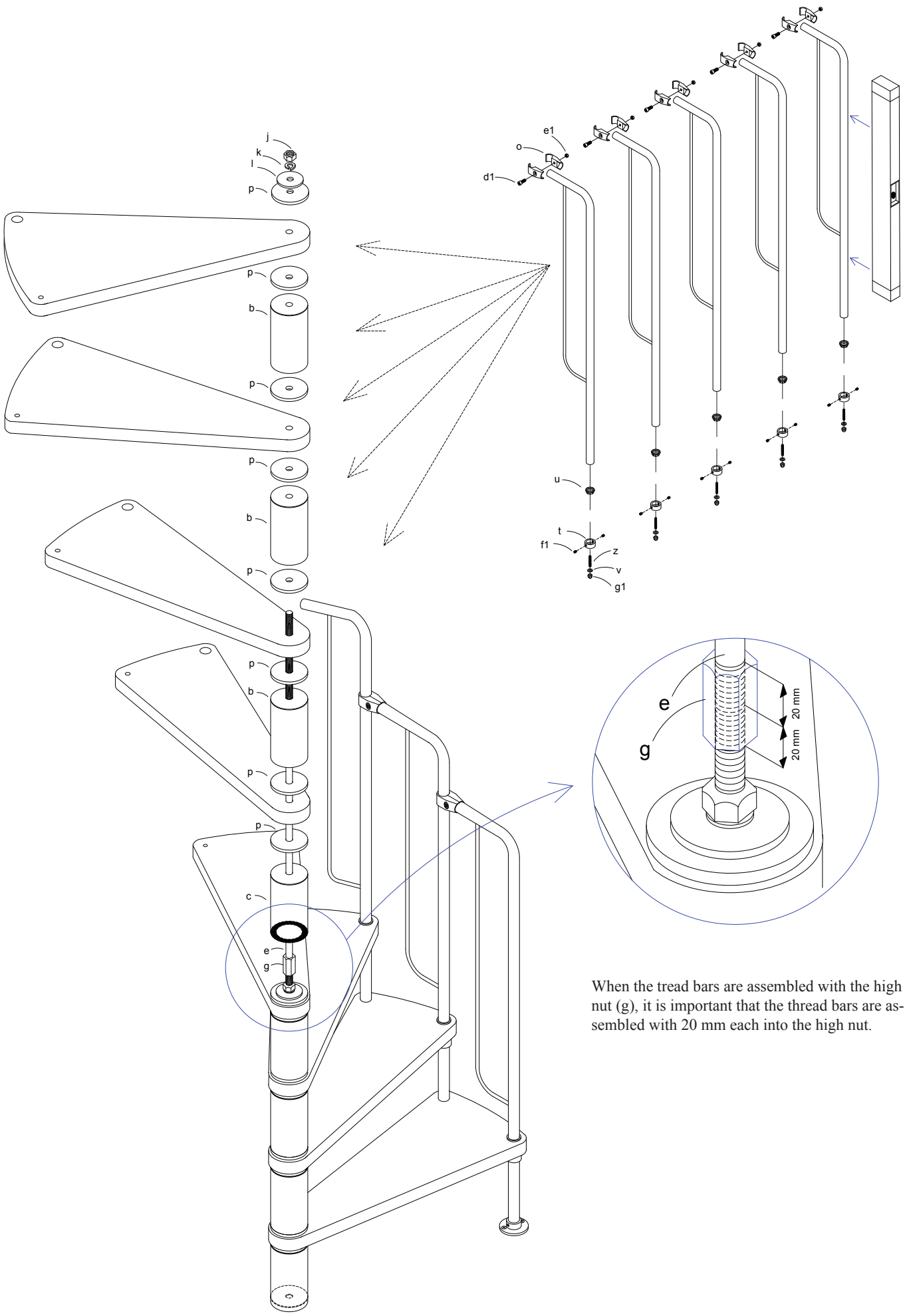


Please note that impurities may occur in the threads of the components. Whave enclosed a screw tap for correction of this. We apologize for the inconvenience.



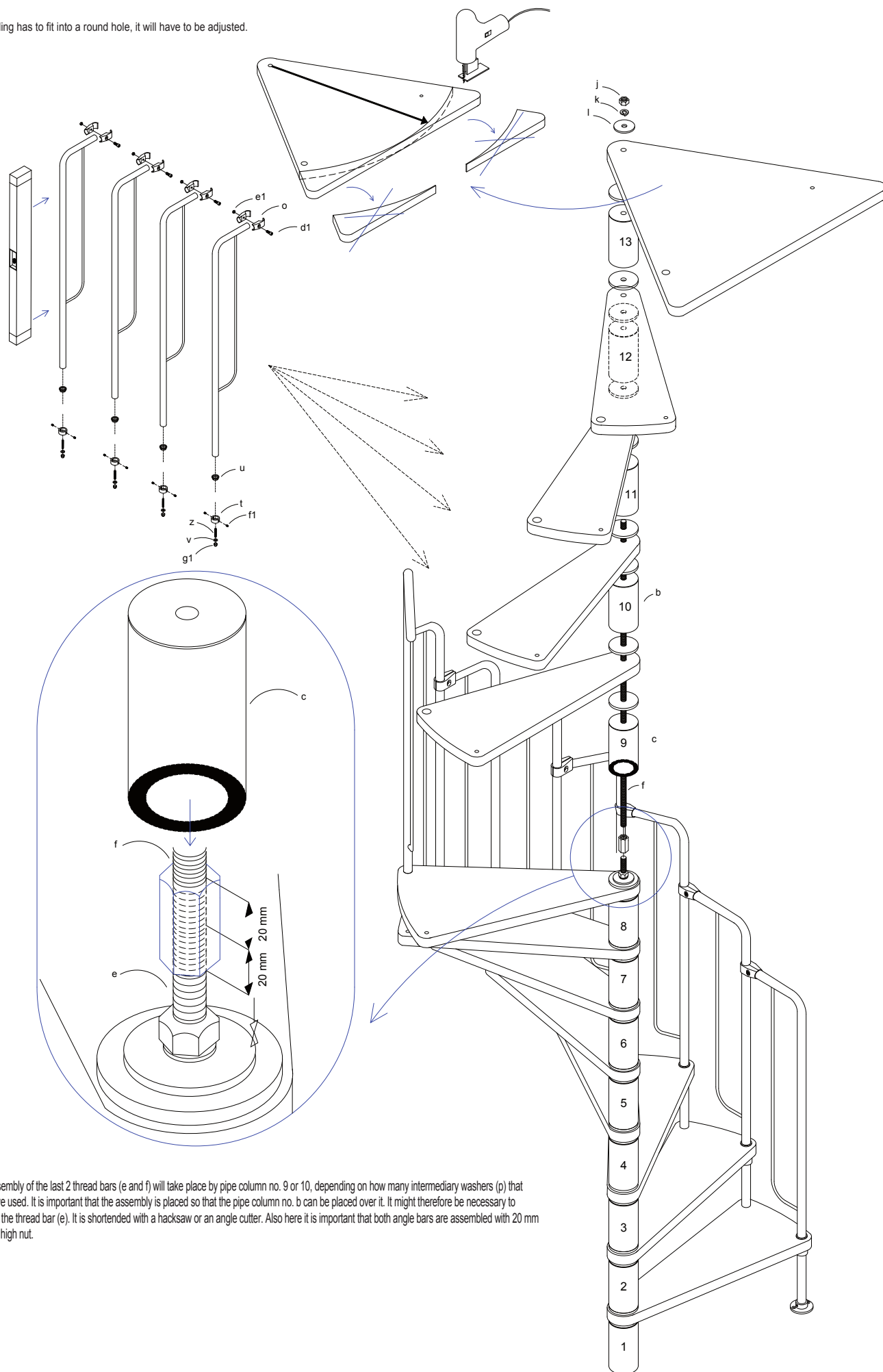
Do not fasten the starting banister to the floor until the landing has been put on, as it will otherwise not be possible to turn the staircase so that the landing is parallel to the wall.



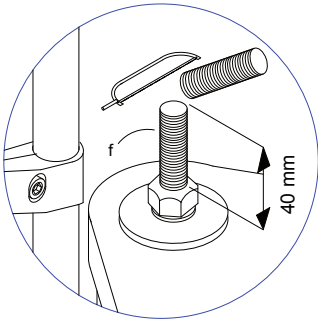


When the tread bars are assembled with the high nut (g), it is important that the thread bars are assembled with 20 mm each into the high nut.

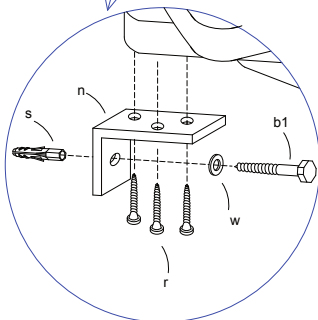
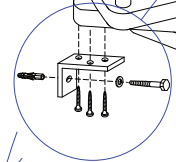
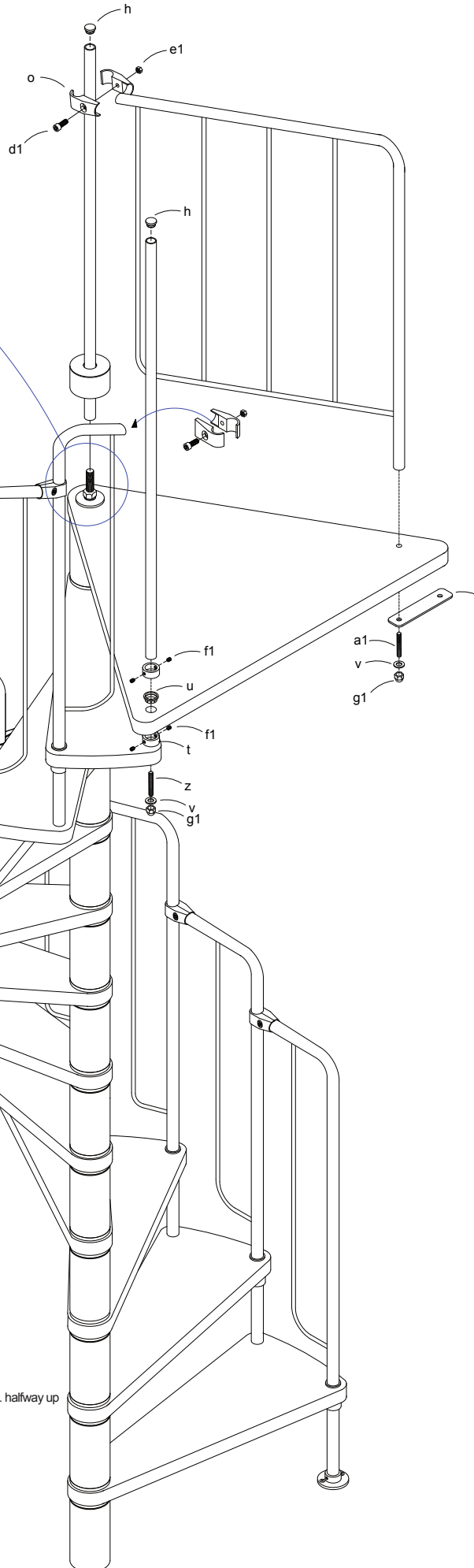
If the landing has to fit into a round hole, it will have to be adjusted.



The assembly of the last 2 thread bars (e and f) will take place by pipe column no. 9 or 10, depending on how many intermediary washers (p) that you have used. It is important that the assembly is placed so that the pipe column no. b can be placed over it. It might therefore be necessary to shorten the thread bar (e). It is shortened with a hacksaw or an angle cutter. Also here it is important that both angle bars are assembled with 20 mm into the high nut.



The top thread bar (f) has to be shortened so that there is app. 40 mm thread left.



To increase the stability of the staircase, the angle fitting has to be fastened app. halfway up the staircase, to the underside of one of the steps and into the wall.

