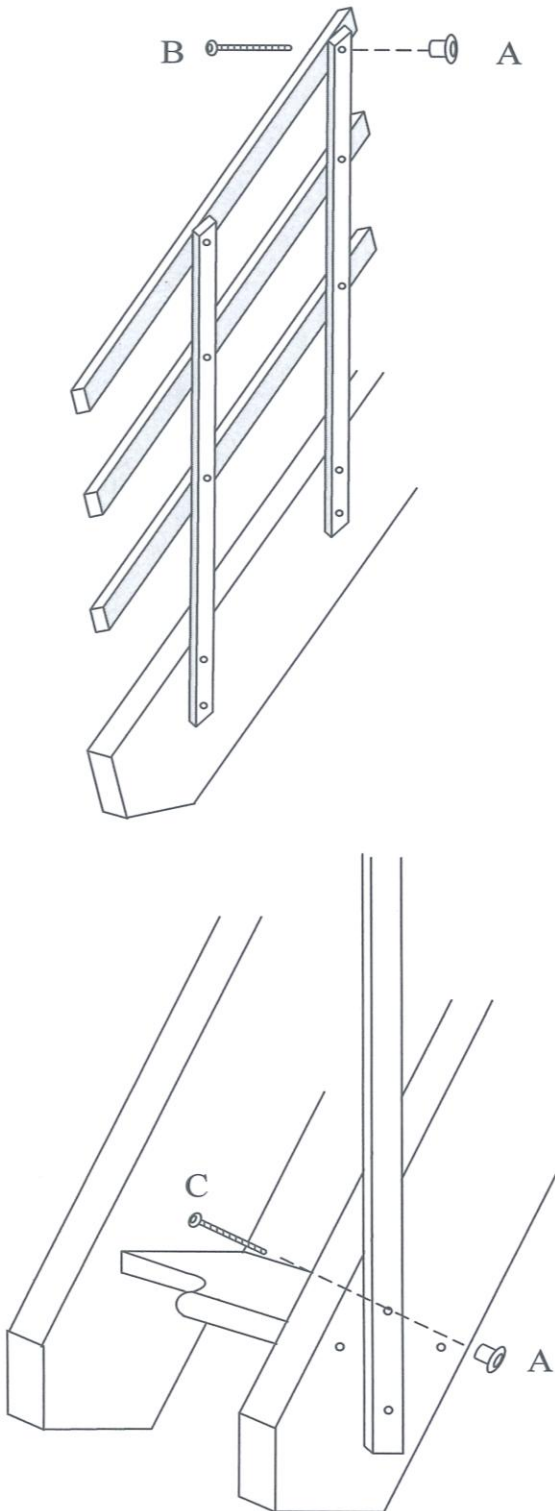
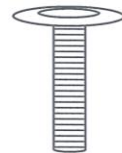


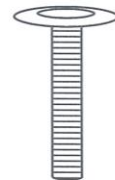
Bergen Ranch Rail Balustrade Kit Fitting Instructions



(A) x 15
Allen M6 'T' Nuts



(B) x 9
M6 x 55mm YZP Bolt



(C) x 6
M6 x 60mm YZP Bolt



(D) x 1
4mm Allen Key