

## Installation Instructions for Junior Concertina Ladder

Please read this guide carefully before fixing and follow the instructions.

**Caution:** This ladder is to be used in household only. Each changing of the product or using improperly makes you loose any guarant of the producer. The stair has to be stored dry.

Use the stair after fixing only when the stairway is completely installed on the building, adjusted stops and when the stair stands save on the floor.

### **Installation** (with wooden backboard)

- Fix wooden backboard (12) with necessary screws, (10) (min. 8x80 ) and washers (11) R 9 DIN 440 (min. 6 pieces ) save on the building.
- You must install the stair absolute with necessary screws and plastic plugs. The screws and plugs are not included in the delivery, please order this parts by a specialist retailer.

### **Adjustment from touch down point after fixing from the stair:**

- Turn Junior stair till you reach the touch point you like.
- In this position turn screw (3) till stop and fix it save with the counter nut (4).  
The touch down point in front is now restrict.

### **Adjustment from time till the scissor packet comes down after fixing from the stair :**

- Open counter nut (6).
- If you turn screw (5) you can stretch the spring (please take care that you not twist the spring).  
Take care that the cable roll can not twist on the spring (cable roll and cable under cover must be in one line and parallel to operating arm (2)).  
Springs must be stretched on both sides with the same power.
- Hold spring and fix counter nut (6) again.

### **Adjustment of side spring (operating arm) :**

**Caution :** only by closed stair, it is only necessary when the stair comes down per dead weight

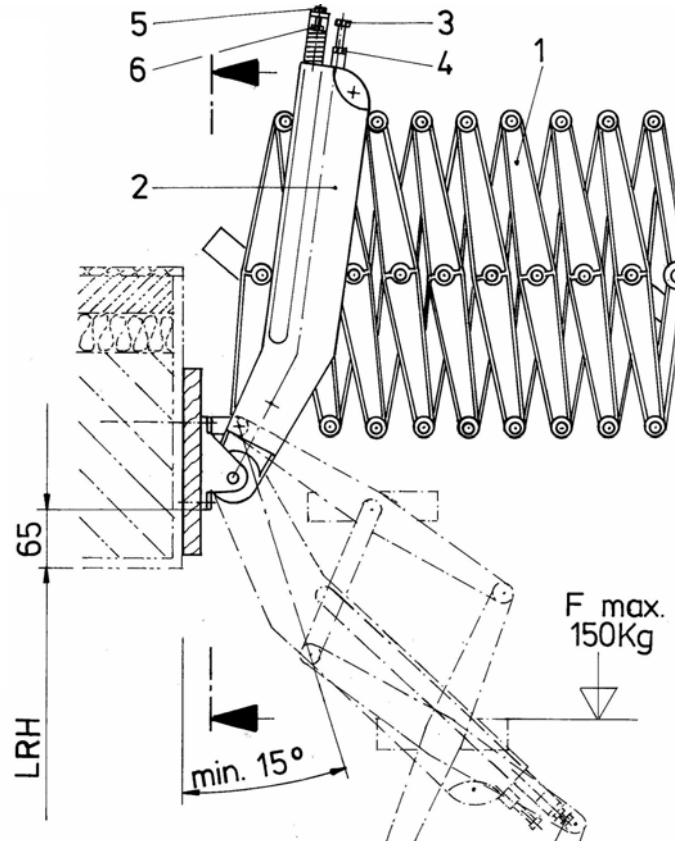
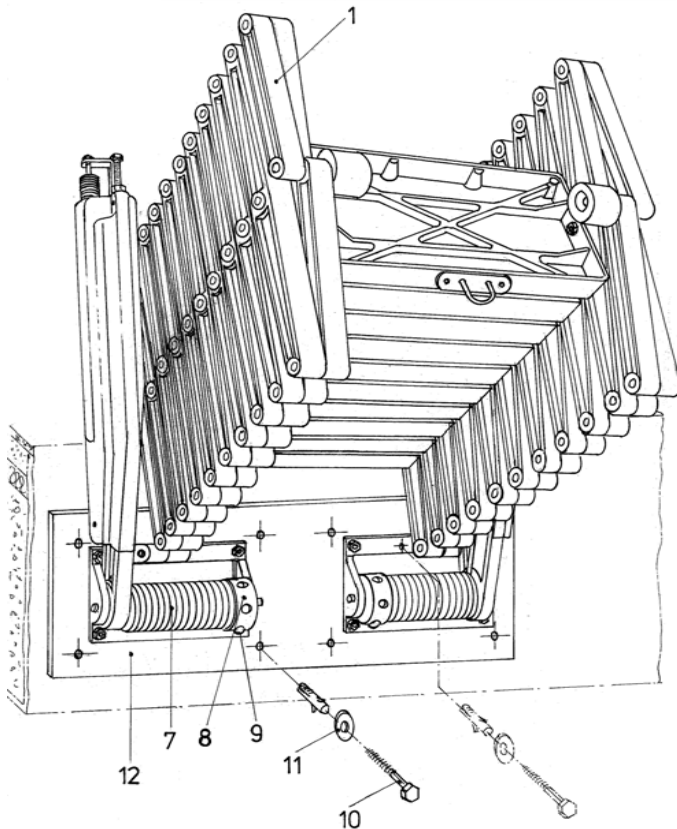
- Put round material 10x300 till stop in the next drill hole and rivet (9).
- Turn spring roller (8) to top and put the rivet (9) one drill hole behind.
- Turn spring roller (8) slowly back till the rivet (9) lies close to the "Lagerbock".  
(**Caution :** side spring (7) are under high pressure, put out round material only if (8) the rivet (9) stands on stop.)

# Installation Instructions for the Junior Concertina Loft Ladder

- Please proof by screws, nuts and safety parts in regular periods of time.
- Please proof wear by all turning parts. Oil all turning parts in regular periods of time.

### Safety instructions :

- Please press not the operating arms (2) of installed stair (1) by opening till stop of "Lagerbock" (**Danger !**, stwairway can be damaged). Smallest angle of stairway to vertical 15°
- Please do not use the stairway without a guard rail.



LR H (floor to ceiling height) cm	Number of treads  pieces
220-250	9
250-279	10

1. Scissor stair
2. Operating arm
3. Screw M 8
4. Nut M 8
5. Screw M 6
6. Nut M 6
7. Side spring
8. Spring roller
9. Rivet  $\varnothing$  10mm
10. Fixing screw
11. Washer
12. Backboard