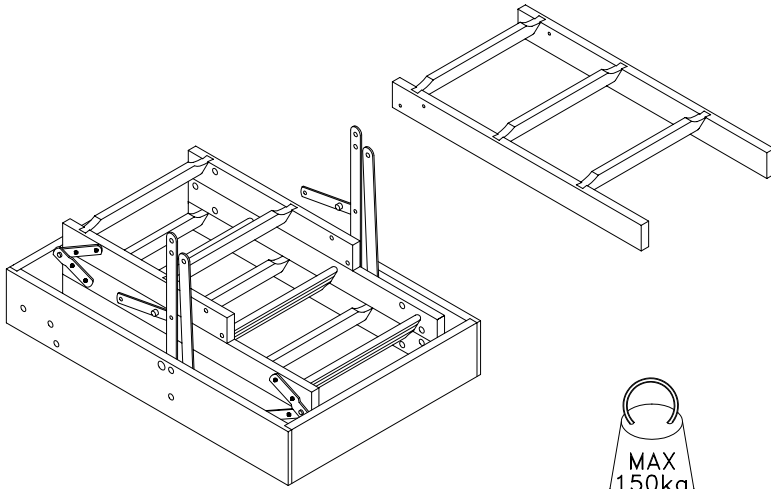
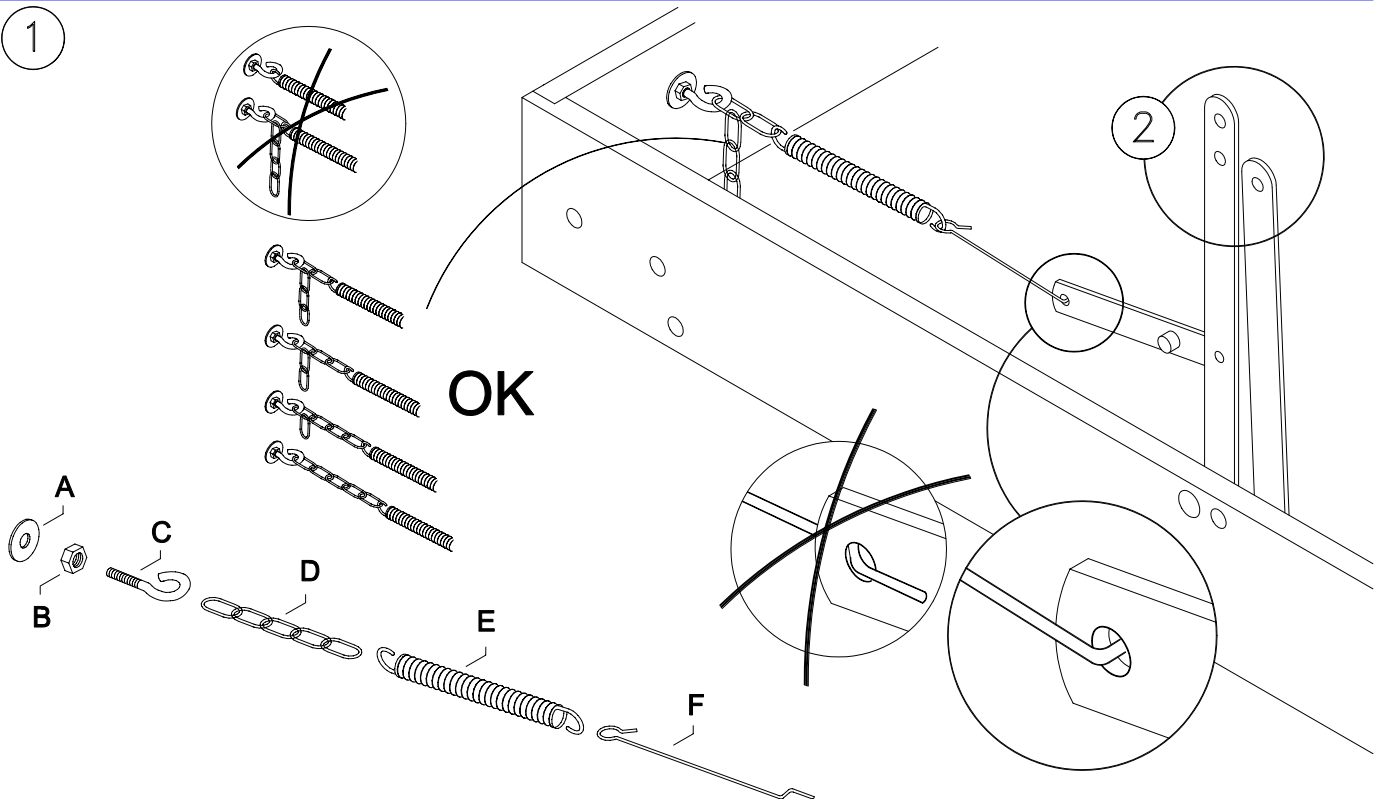


Mini DTL Fitting Instructions



A x2	B x2	C x2	D x2	E x2
F x2	G x2	H x2	I x2	J x4
K x1	L x1	M x1	N x1	O x2
P x4	Q x1	R x3	S x1	T x1
			U x4	

1



2

POS.	1	2
	MAX	MAX
x11	260	265
x12	292	297

