

Packed Dimensions



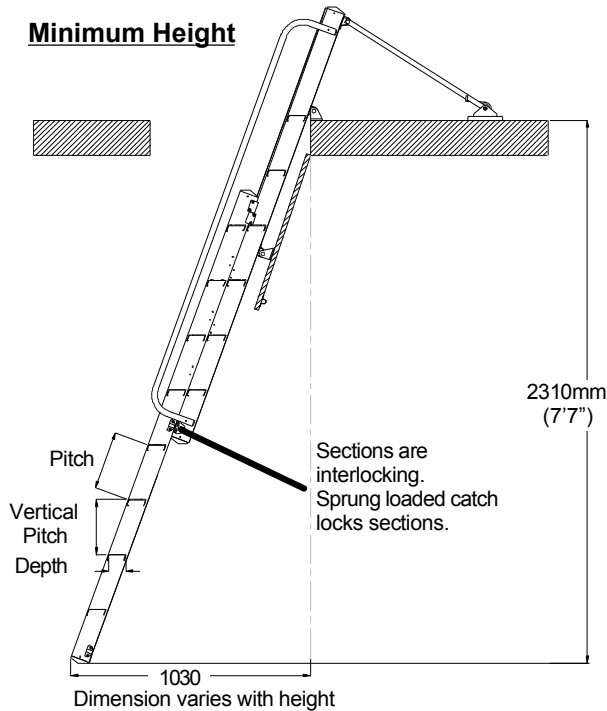
Packaged Dimensions	Closed Length (mm)	Width (mm)	Depth (mm)	Volume (m ³)	Weight (kg)
	2160	405	265	0.232	18.4

Technical Information

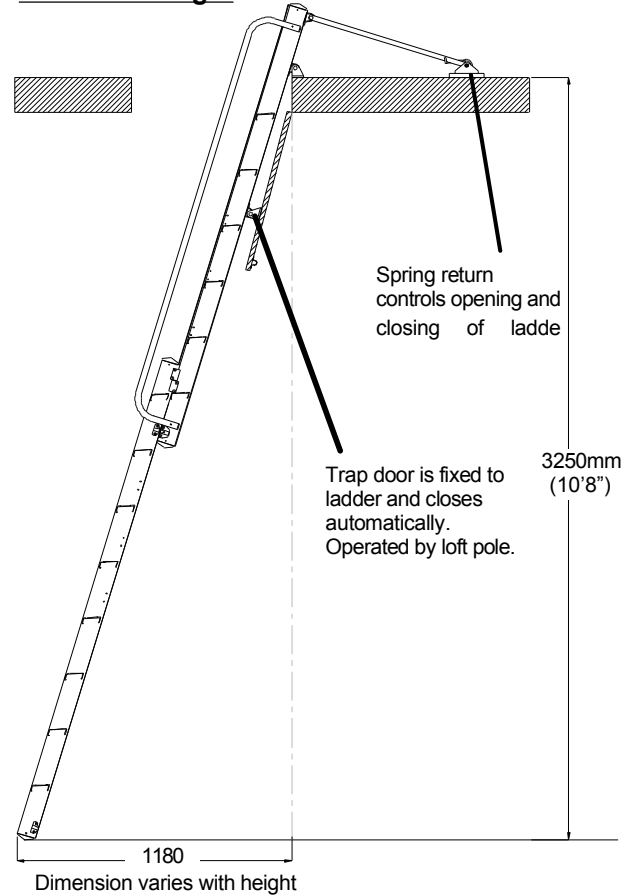
- Materials:** Stiles and Treads - Extruded Aluminium Alloy
 Handrails - Aluminium Alloy Tube
 Operating Pole - Aluminium Alloy Tube fitted with aluminium cast hook.
 Other fittings - Steel and plastic
- Duty Rating:** User and items must not exceed the maximum safe working load of 150 kg (23.6 stones).
- Classification:** Kitemarked to BS 7553 Class H (Heavy Duty) - *'For relatively high frequency and onerous conditions of use and storage.'*

Floor to Floor Heights

Minimum Height

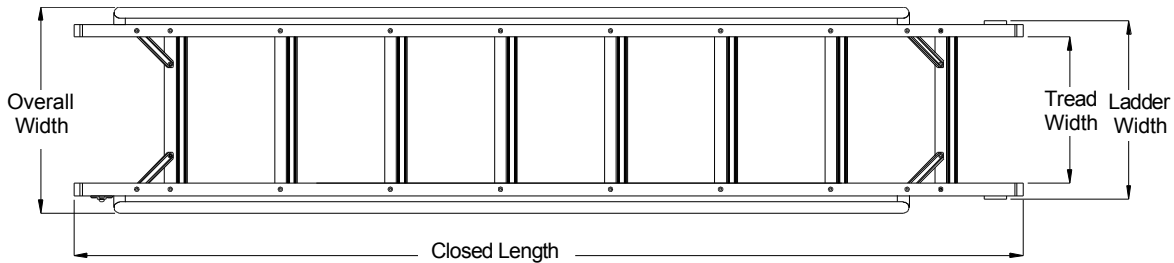


Maximum Height

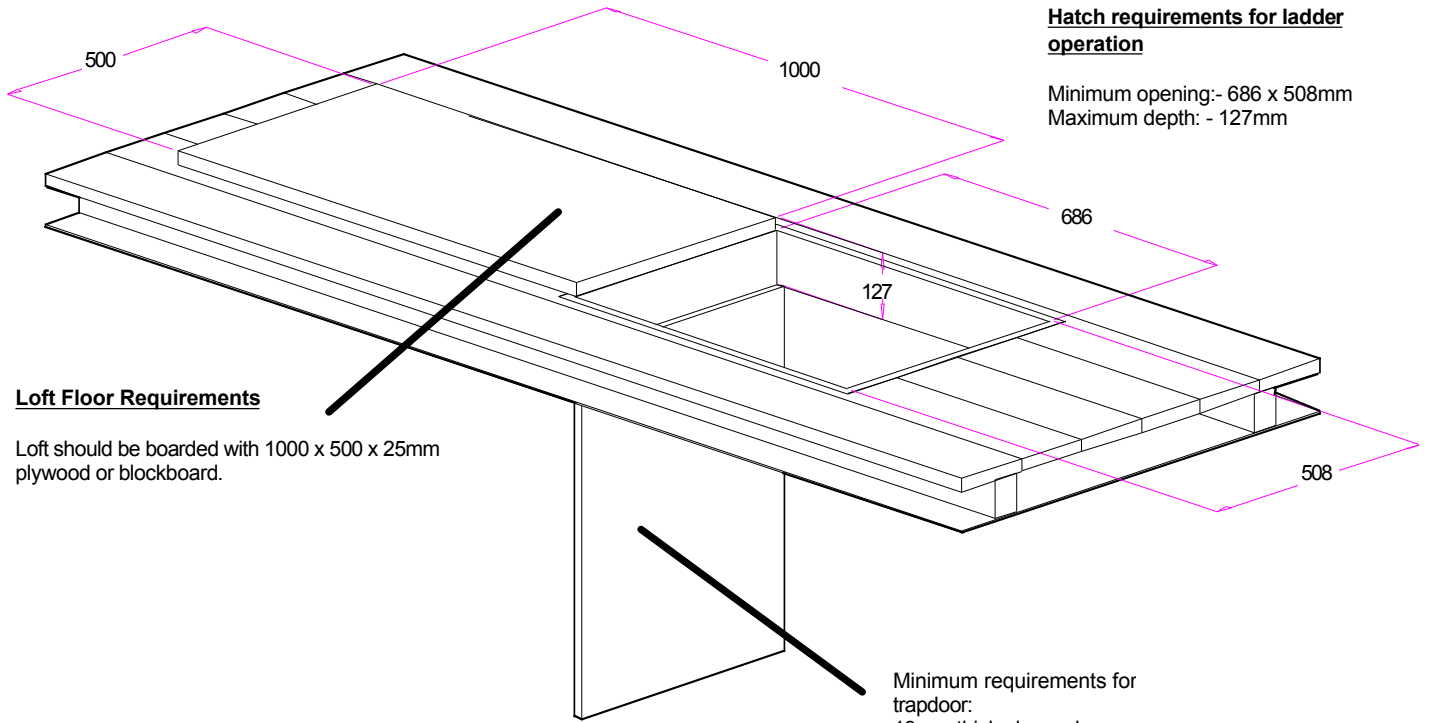


	Floor to Floor Height
Setting 1	2310mm (7'7") to 2545mm (8'4")
Setting 2	2545mm (8'4") to 2780mm (9'2")
Setting 3	2780mm (9'2") to 3015mm (9'11")
Setting 4	3015mm (9'11") to 3250mm (10'8")

Product Dimensions



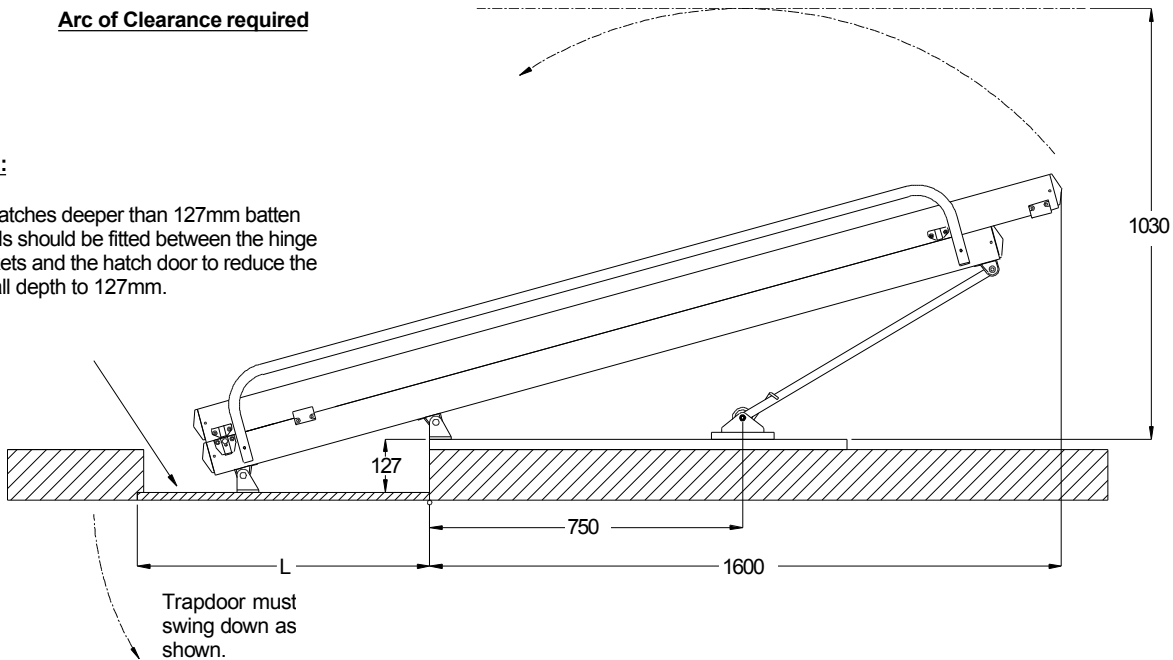
Treads	Lower Section	Upper Section	Width (mm)	Depth (mm)	Pitch (mm)	Vertical Pitch (mm)
	8	6	330	74	250	235
Assembled Dimensions	Closed Length (mm)	Ladder Width (mm)	Overall Width (mm)	Nominal Working Angle		
	2160	402	466	70°		



Arc of Clearance required

Note:

For hatches deeper than 127mm batten boards should be fitted between the hinge brackets and the hatch door to reduce the overall depth to 127mm.

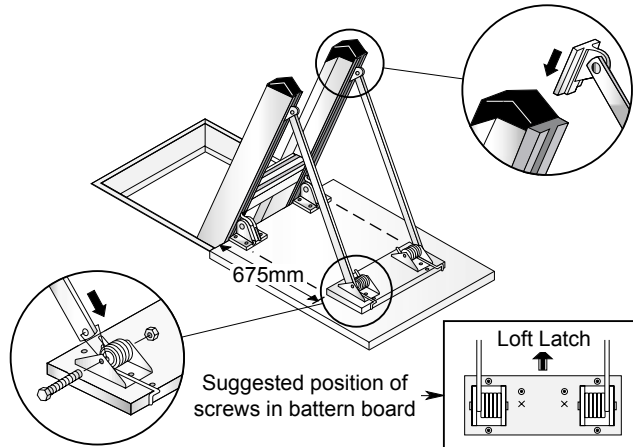


Note:

Heavy trapdoors will cause the hatch to remain open.

An approximate rule for finding maximum door weight in kg for given length is :

$$\text{Max. Weight (kg)} = 4220/L \text{ when } L \text{ is in mm.}$$



Min. floor to loft (m)	Max. floor to loft (m)	Vertical Clearance in loft (m)	Horizontal clearance in loft (m)
2.310	3.250	1.030	1.600

Order code	Product name	Packed Dimension (m)			Sec	Total No. Treads	Duty Rating	Weight (kg)
		Length	Width	Depth				
306340	Deluxe Loft Ladder	2.160	0.405	0.265	2	14	150/23.5	18.40